

ENGINE

Model	FPT F5BFL413C
Emissions Certification	Tier 4 Final
Type	Diesel 4-stroke, turbocharged
Cylinders	4
Bore/Stroke	3.90 x 4.33 in (99 x 110 mm)
Displacement	207 in ³ (3.4 L)
Fuel injection	Direct, high pressure common rail – HPCR
Fuel	Diesel
Engine speeds*	RPM
Rated speed – full load	2200
Low idle	900 – 1000
High idle – no load	2330 – 2430
Horsepower @ 2200 RPM:	
Gross	90 hp (67 kW)
Net w/ viscous fan**	89 hp (66 kW)
Net	83 hp (62 kW)
Maximum torque @ 1400 RPM:	
Gross	306 lb-ft (415 N-m)
Net w/ viscous fan	305 lb-ft (413 N-m)
Net	299 lb-ft (405 N-m)
Torque rise at rated speed	43% +/- 5%
Radiator:	
Core type	Square wave
Core size area	486 in ² (3 145 cm ²)
Rows of tubes	5
39° fan:	
Style	7 blade suction
Diameter	19.65 in (499 mm)
Ratio	1.1:1
Pump operating angle ratings:	
Side to side	Rated 35°
Fore and aft	Rated 35°
Oil filtration	Replaceable, full flow spin on

NOTE: *Meets federal emission regulations.

**Viscous fan included w/ Cab
Convenience package.

DRIVETRAIN

Transmission – standard:		
4F-4R Power Shuttle Synchromesh Transmission manual gear shift, fully synchronized		
Transmission – optional:		
Powershift S-Type, 4F-3R fully synchronized		
Specifications below apply to both Power Shuttle and Powershift S-Type transmission unless otherwise indicated.		
Gear ratios	Forward/Reverse	
1st	5.603/4.643	
2nd	3.481/2.884	
3rd	1.584/1.313	
4th	0.793/0.657*	
Travel speeds	Forward	Reverse
	mph (kph)	mph (kph)
1st	3.8 (6.1)	4.5 (7.3)
2nd	6.1 (9.8)	7.3 (11.7)
3rd	13.1 (21.1)	15.7 (25.3)
4th	24.6 (39.6)	29.4 (47.3)*

NOTE: Travel speeds at 2293 engine RPM specified:
w/ 19.5 L x 24.0 tires.
Speeds decrease w/ 17.5 L x 24.0 rear tires.
*4R not available on Powershift S-Type.

Torque converter ratio	3.2
Differential lock	On-the-go push-button activation
Front 4WD/Rear axle:	
Differential ratio	2.0/2.5
Planetary hub ratio	6.0/6.4
Total reduction ratio	12.0/16.0
Service brakes:	
Individually applied, power assisted, hydraulically actuated, maintenance-free, self-adjusting, outboard mounted, wet disc, 2 per side.	
Total disc area	384 in ² (0.25 m ²)
Parking brakes	Trans Mounted spring-applied hydraulic release – SAHR

ELECTRICAL

Voltage	12 Volts, negative ground
Alternator	160 amp
Battery	850 cold-cranking amps
Opt. batteries (2)	850 cold-cranking amps
Power plugs (2)	30 amps total

OPERATOR ENVIRONMENT

ROPS/FOPS certified protective canopy;
Anti-vandalism cover for dash – w/ canopy only;
Rear fenders extensions; Coat hook w/ garment
strap; Interior rearview mirror, convex
3.54 in (90 mm) wide x 10.83 in (275 mm) high;
Non-suspension seat – 180° swivel – Vinyl; 2
in (50 mm) retractable seat belt; Cup holder/
storage tray mounted on left-hand fender;
Right-hand storage compartment w/ lid.

Gauges:

Engine water temperature; Converter oil
temperature; Fuel level; Tachometer/
hourmeter; DEF level.

Warning lights:

Air cleaner restriction; Alternator; A/C high
pressure; Cold start; Engine oil pressure
low; Hydraulic oil filter bypass; Parking brake
engagement; Low fuel; Water in fuel;
Low DEF.

Audible alarms:

Coolant temperature; Engine oil pressure;
Parking brake engagement; Shuttle
engagement/seat position; Backup,
Converter temperature; Low DEF fluid.

Horn Dual switched front and rear

OPERATING WEIGHT

Configuration 1 – SAE Transport:

Standard dipper, 82 in (2.08 m) LL bucket;
2WD; 19.5 L – 24 rear tires, 24 in HD backhoe
bucket; flip over stabilizer pads; 1 door cab w/
heat and A/C; cloth mechanical suspension
seat; small front counter weight; S-type
powershift transmission; no operator; fully
fueled. 16,589 lb (7 525 kg)

Configuration 2 – SAE Transport:

No Operator; One door cab; 4WD; AC; Ehoe;
SPS Shift; Wobble Stick Mechanical BH
Controls; Front Counterweight 4 Speed Manual
Transmission; Boom Guard; Extendahoe®; 82”
GP Loader Bucket Galaxy 12-16.5 @ 49 psi
Front Tires; Solideal 19.5 L – 24 @ 29 psi Rear
Tires. 17,751 lb (8 052 kg)

Add-on weights:

Cab-over canopy	309 lb (140 kg)
Fabricated Stabilizer pads	141 lb (64 kg)
Counterweights	700 lb (318 kg)
Extendahoe®	285 lb (129 kg)
4WD w/ driveshaft guard	283 lb (128 kg)

HYDRAULICS

Pump:	
Parker P330 Single Section Gear Pump	
Main relief pressure:	
Standard	3,350 +/- 50 psi (231 +/- 3.5 bar)
Filtration:	
7-micron, return line, full flow, spin on element, condition indicator light for filter.	
Oil cooler	Heavy-duty
Loader flow @ rated engine RPM:	
28.5 gpm @ 3,350 psi (108 L/min @ 231 bar)	

Loader control valve:
Two or three-spool open center monoblock valve. Two and three-spool valves have a single lever manual control for lift and tilt functions. Three-spool valve uses a proportional Electro-Hydraulic control for the auxiliary function. The lift lever has a positive hold "Float" position and a "return-to-dig" feature. System Main Relief valve is single stage w/ Manual Backhoe Controls, dual stage relief valve w/ Pilot Backhoe Controls.

Loader auxiliary hydraulics proportional thumb switch w/ detent on loader control handle.
Loader auxiliary hydraulics w/ full available flow:
0 – 28.5 gpm (0 – 108 L/min)

Backhoe flow @ rated engine RPM:
28.5 gpm @ 3,350 psi
(108 L/min @ 231 bar)

Manual backhoe control valve:
Six or seven-spool monoblock open center control valve. Features "Pro-Control" which includes custom designed spools for each individual function along w/ "swing cushioning" valve for zero-wag swing control. Basic control valve has an open center parallel circuit for all functions.

Pilot backhoe control valve:
Six, seven or eight-spool sectional closed center control valve. Features "Pro-Control" which includes custom designed spools for each individual function along w/ "swing cushioning" valve for zero-wag swing control. Basic control valve is closed center, w/ circuits in parallel w/ a post-compensated, flow sharing feature for simultaneous operation of all circuits.

Unidirectional auxiliary hydraulics:

Unidirectional hydraulic valve is equipped w/ an adjustable LS relief valve to control attachment pressure and a 6 position flow control selector for 6 detented, distinct flow settings.

Actuation:
Manual backhoe controls – cab floor pedal
Pilot controls – left-hand joystick

Bidirectional auxiliary hydraulics*:

Actuation:
Activate the bidirectional Switch located on the rear console
Manual shift – bidirectional linkage on far right of backhoe tower
Pilot controls – left-hand joystick.

NOTE: *Available w/ Combo Aux. Hyd. option.

SERVICE CAPACITIES

Fuel tank	35.0 gal (132.0 L)
DEF tank	3.6 gal (13.5 L)
Hydraulic system:	
Total	111 qt (105.0 L)
w/ Extendahoe®	117 qt (110.7 L)
Reservoir w/ filter	55 qt (52.4 L)
Reservoir w/o filter	53 qt (50.5 L)
Transmission – total system:	
2WD Standard	18 qt (17.0 L)
2WD Powershift	23 qt (21.7 L)
4WD Standard	21 qt (19.4 L)
4WD Powershift	22 qt (20.7 L)
Front axle:	
4WD Differential	8.1 qt (7.7 L)
4WD Planetaries – each	0.5 qt (0.5 L)
Rear axle:	
Differential and planetaries	14.4 qt (13.6 L)
Engine oil w/ filter	8.5 qt (8.0 L)
Cooling system:	
w/ heater	19.0 qt (18.0 L)
w/o heater	18.3 qt (17.3 L)
Window washer reservoir	3.0 qt (2.8 L)

OTHER SPECIFICATIONS

Front tires:	
2WD	11.0 L x 16.0, 10-ply rating
4WD	12.0 L x 16.5, 8-ply rating
Rear tires:	
2/4WD	19.5 L x 24.0, 10-ply rating
2/4WD	17.5 L x 24.0, 10-ply rating

Loader:
Bucket position indicator; Lifting lugs on standard bucket; Single lever control w/ self-leveling and return-to-dig; Hand operated clutch disconnects on loader and shift levers, single lever 4-function loader control: lift, dump, clutch cut-out, differential lock.

Loader bucket sizes:

Width	Weight	Struck	Heaped
Long Lip Bucket w/o bolt-on edge			
82 in (2.08 m)	683 lb (310 kg)	0.88 yd ³ (0.67 m ³)	1.03 yd ³ (0.79 m ³)
93 in (2.36 m)	1,188 lb* (539 kg)	1.10 yd ³ (0.84 m ³)	1.29 yd ³ (0.99 m ³)
4 IN 1® Bucket w/ bolt-on edge			
82 in (2.08 m)	1,572 lb* (713 kg)	0.85 yd ³ (0.65 m ³)	1.05 yd ³ (0.80 m ³)

NOTE: *Weight of 4 IN 1® bucket includes edges, cylinders and tube lines.

OTHER SPECIFICATIONS (cont.)

Turning radius*: Curb to Curb

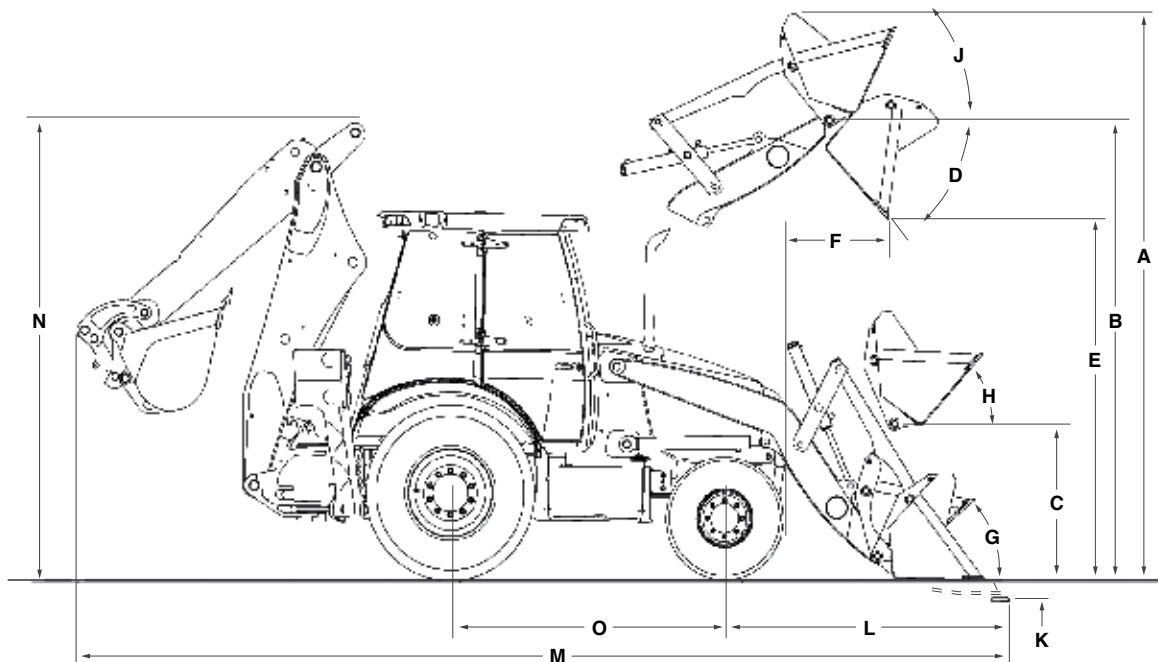
2WD:	
Brakes on	10 ft 8 in (3.24 m)
Brakes off	12 ft 4 in (3.76 m)
4WD – engaged:	
Brakes on	11 ft 4 in (3.45 m)
Brakes off	13 ft 10 in (4.21 m)
4WD – disengaged:	
Brakes on	11 ft 0 in (3.36 m)
Brakes off	12 ft 3 in (3.72 m)

Backhoe:
Over center design, fabricated "S" boom;
Open-center hydraulics – Pro Control System.

Backhoe bucket sizes:

Width	Weight	Heaped
General Purpose Trenching Buckets		
18 in (457 mm)	232 lb (105 kg)	4.70 ft ³ (0.13 m ³)
24 in (610 mm)	272 lb (123 kg)	6.26 ft ³ (0.18 m ³)
Universal Buckets		
12 in (305 mm)	295 lb (137 kg)	3.40 ft ³ (0.10 m ³)
18 in (457 mm)	356 lb (162 kg)	5.30 ft ³ (0.15 m ³)
24 in (610 mm)	427 lb (194 kg)	7.70 ft ³ (0.22 m ³)
30 in (762 mm)	489 lb (222 kg)	10.20 ft ³ (0.29 m ³)
36 in (914 mm)	552 lb (251 kg)	12.70 ft ³ (0.36 m ³)
High Capacity Buckets		
24 in (610 mm)	447 lb (203 kg)	8.50 ft ³ (0.24 m ³)

NOTE: *Turning radius dimensions curb to curb w/ 17.5 L x 24.0 rear tires.



Line drawings are for illustrative purpose only and may not be exact representation of unit.

LOADER DIMENSIONS*

	Long Lip Bucket	4 IN 1® Bucket
A. Overall operating height – fully raised	13 ft 9 in (4.18 m)	13 ft 8 in (4.16 m)
Height to:		
B. Bucket hinge pin fully raised	11 ft 3 in (3.42 m)	11 ft 3 in (3.42 m)
C. Bucket hinge pin at SAE carry	13.6 in (345 mm)	13.6 in (345 mm)
D. Dump angle at full height	47°	47°
E. Dump clearance at full height, 45° dump:		
Bucket	8 ft 10 in (2.69 m)	8 ft 11 in (2.71 m)
Clam open	—	9 ft 8 in (2.96 m)
F. Dump reach at full height, 45° dump:		
Bucket	31.5 in (801 mm)	29.1 in (738 mm)
Clam open	—	15.3 in (388 mm)
Bucket rollback:		
G. @ Groundline	42°	42°
H. @ SAE carry	42°	42°
J. @ Full height	Adjustable	Adjustable
K. Digging depth below grade:		
Bucket flat	6.1 in (155 mm)	4.8 in (122 mm)
Clam open – dozing	—	4.1 in (103 mm)
L. Reach from front axle centerline – bucket on ground	6 ft 10 in (2.08 m)	6 ft 10 in (2.03 m)
Lift capacity to full height	6,803 lb (3 086 kg)	6,459 lb (2 930 kg)
Breakout force:		
Lift cylinders	9,506 lb (4 228 daN)	9,276 lb (4 126 daN)
Dump cylinders	10,622 lb (4 724 daN)	11,312 lb (5 032 daN)
Bucket cutting edge width	82.5 in (2.09 m)	82.0 in (2.08 m)
Maximum grading angle	114°	114°
Maximum clam opening	—	38.3 in (972 mm)
Moldboard height	—	36.8 in (934 mm)
Raising time to full height	4.6 sec	4.6 sec
Bucket dumping time	1.1 sec	1.1 sec
Lowering time:		
Power down	2.6 sec	2.6 sec
Return-to-dig	3.6 sec	3.6 sec
Clam:		
Open time	—	1.0 sec
Close time	—	1.0 sec

NOTE: *Loader dimensions taken with 4WD, 19.5 L x 24.0 rear tires.

DIMENSIONS

	2WD with 19.5 L x 24.0 tires	4WD with 19.5 L x 24.0 tires
M. Overall transport length:		
Long Lip bucket with Quick Coupler	23 ft 5 in (7.14 m)	23 ft 4 in (7.10 m)
4 IN 1 [®] bucket with Quick Coupler	23 ft 3 in (7.07 m)	23 ft 1 in (7.04 m)
Long Lip bucket with Straight Links	23 ft 6 in (7.15 m)	23 ft 4 in (7.12 m)
4 IN 1 [®] bucket with Straight Links	23 ft 3 in (7.09 m)	23 ft 2 in (7.06 m)
Overall transport width – rear tires	6 ft 10 in (2.07 m)	6 ft 10 in (2.07 m)
Height:		
To top of canopy	8 ft 9 in (2.66 m)	8 ft 9 in (2.66 m)
To top of cab	8 ft 11 in (2.72 m)	8 ft 11 in (2.72 m)
To top of exhaust stack	8 ft 7 in (2.62 m)	8 ft 7 in (2.61 m)
N. Transport	10 ft 10 in (3.30 m)	11 ft 1 in (3.37 m)
Ground clearance at backhoe frame	15.0 in (380 mm)	15.0 in (380 mm)
Angle of departure	15.3°	19.0°
Front wheel tread:		
11.0 L x 16.0	67.5 in (1.71 m)	67.5 in (1.71 m)
12.0 L x 16.5	67.7 in (1.72 m)	67.7 in (1.72 m)
Rear wheel tread:		
17.5 L x 24.0	63.1 in (1.60 m)	63.1 in (1.60 m)
19.5 L x 24.0	61.2 in (1.55 m)	61.2 in (1.55 m)
Width over tires:		
11.0 L x 16.0	79.3 in (2.01 m)	79.3 in (2.01 m)
12.0 L x 16.5	81.1 in (2.06 m)	81.1 in (2.06 m)
17.5 L x 24.0	81.7 in (2.07 m)	81.7 in (2.07 m)
19.5 L x 24.0	81.4 in (2.07 m)	81.4 in (2.07 m)
O. Wheelbase	84.0 in (2.13 m)	84.5 in (2.15 m)

CYLINDERS

	Bore Diameter	Rod Diameter	Stroke	Closed Length
Loader:				
Lift (2)	3.25 in (82.6 mm)	1.75 in (44.5 mm)	28.86 in (733.0 mm)	41.81 in (1 062.0 mm)
Dump (2)	3.00 in (76.2 mm)	1.50 in (38.1 mm)	20.33 in (516.5 mm)	30.31 in (769.9 mm)
4 IN 1 [®] clam (2)	3.00 in (76.2 mm)	1.75 in (44.5 mm)	9.08 in (230.6 mm)	19.62 in (498.3 mm)
Backhoe:				
Boom	4.50 in (114.3 mm)	2.25 in (57.2 mm)	38.22 in (971.5 mm)	52.82 in (1 341.6 mm)
Dipperstick	4.25 in (108.0 mm)	2.25 in (57.2 mm)	25.14 in (628.5 mm)	39.65 in (1 007.0 mm)
Bucket	3.25 in (82.6 mm)	2.25 in (57.2 mm)	35.35 in (897.9 mm)	48.17 in (1 223.6 mm)
Extendahoe [®]	3.00 in (76.2 mm)	1.75 in (44.5 mm)	42.05 in (1 068.0 mm)	56.22 in (1 428.0 mm)
Swing (2)	3.75 in (95.3 mm)	2.00 in (50.8 mm)	11.50 in (292.0 mm)	24.44 in (620.8 mm)
Stabilizer (2)	4.25 in (108.0 mm)	2.25 in (57.2 mm)	21.37 in (542.9 mm)	33.87 in (860.2 mm)

AXLE RATINGS

	Front – 2WD	Rear	Front – 4WD
Maximum static	70,821 lb (32 124 kg)	90,145 lb (40 889 kg)	64,613 lb (29 308 kg)
Dynamic operating	44,261 lb (20 076 kg)	56,200 lb (25 492 kg)	39,328 lb (17 839 kg)
Static operating	17,704 lb (8 030 kg)	22,480 lb (10 197 kg)	15,732 lb (7 136 kg)
Oscillation – front axle	22° total – 11° side to side	–	22° total – 11° side to side

BACKHOE LIFT CAPACITIES

Boom Lift	Standard Backhoe Lift Capacity lb (kg)	Extendahoe®	
		Retracted Lift Capacity lb (kg)	Extended Lift Capacity lb (kg)
+16 ft (4.87 m)	—	—	1,693 (768)
+14 ft (4.27 m)	2,472 (1 121)	2,271 (1 030)	1,979 (897)
+12 ft (3.66 m)	2,857 (1 296)	2,644 (1 199)	2,124 (964)
+10 ft (3.05 m)	2,966 (1 345)	2,748 (1 246)	2,172 (985)
+8 ft (2.44 m)	2,983 (1 353)	2,761 (1 252)	2,169 (984)
+6 ft (1.83 m)	2,963 (1 344)	2,739 (1 242)	2,173 (985)
+4 ft (1.22 m)	2,929 (1 329)	2,701 (1 225)	2,165 (982)
+2 ft (0.61 m)	2,892 (1 312)	2,662 (1 207)	2,153 (977)
Ground Level	2,858 (1 297)	2,625 (1 191)	2,153 (977)
-2 ft (0.61 m)	2,834 (1 285)	2,598 (1 178)	2,145 (973)
-4 ft (1.22 m)	2,827 (1 282)	2,588 (1 174)	2,143 (972)
-6 ft (1.83 m)	2,853 (1 294)	2,609 (1 183)	2,154 (977)
-8 ft (2.44 m)	2,949 (1 338)	2,698 (1 224)	2,189 (993)
-10 ft (3.05 m)	3,319 (1 506)	3,053 (1 385)	2,270 (1 030)
-12 ft (3.66 m)	—	—	2,429 (1 102)
-14 ft (4.27 m)	—	—	3,115 (1 413)
Dipper Lift:			
+14 ft (4.27 m)	—	—	3,154 (1 431)
+12 ft (3.66 m)	4,343 (1 970)	4,139 (1 877)	2,981 (1 352)
+10 ft (3.05 m)	4,027 (1 827)	3,826 (1 735)	2,823 (1 281)
+8 ft (2.44 m)	4,112 (1 865)	3,910 (1 774)	2,855 (1 295)
+6 ft (1.83 m)	4,563 (2 070)	4,357 (1 976)	3,010 (1 365)
+4 ft (1.22 m)	5,398 (2 449)	5,177 (2 348)	2,948 (1 337)
+2 ft (0.61 m)	—	—	3,486 (1 581)

BACKHOE OPERATIONAL DATA

	Standard Backhoe	Extendahoe®	
		Retracted	Extended
Digging depth:			
Maximum	14 ft 9 in (4.50 m)	14 ft 9 in (4.50 m)	18 ft 3 in (5.55 m)
2 ft (610 mm) flat bottom	14 ft 8 in (4.46 m)	14 ft 8 in (4.46 m)	18 ft 1 in (5.52 m)
8 ft (2.44 m) flat bottom	13 ft 8 in (4.16 m)	13 ft 8 in (4.16 m)	17 ft 4 in (5.29 m)
Overall reach from:			
Rear axle centerline	21 ft 11 in (6.68 m)	21 ft 11 in (6.68 m)	25 ft 4 in (7.72 m)
Swing pivot	18 ft 4 in (5.57 m)	18 ft 4 in (5.57 m)	21 ft 8 in (6.60 m)
Loading height	11 ft 9 in (3.59 m)	11 ft 9 in (3.59 m)	14 ft 1 in (4.30 m)
Loading reach – dipper retracted	6 ft 9 in (2.04 m)	6 ft 9 in (2.04 m)	9 ft 4 in (2.84 m)
Swing arc	180°	180°	180°
Bucket rotation:			
Straight links	175.6°	175.6°	175.6°
Mechanical coupler	198.0°	198.0°	198.0°
Stabilizer spread – centers:			
Flip pad	9 ft 5 in (2.87 m)	9 ft 5 in (2.87 m)	9 ft 3 in (2.81 m)
Cast Pad	9 ft 9 in (2.97 m)	9 ft 9 in (2.97 m)	9 ft 7 in (2.92 m)
Digging force:			
Bucket cylinder	11,517 lb (51 228 N)	11,517 lb (51 228 N)	11,517 lb (51 228 N)
Dipper cylinder	6,710 lb (29 484 N)	6,710 lb (29 484 N)	4,887 lb (21 738 N)
Leveling angle:			
Flip pad	12.8°	12.8°	12.8°
Cast pad	13.8°	13.8°	13.8°

STANDARD EQUIPMENT

OPERATOR ENVIRONMENT

See page 1

ENGINE

FPT F58FL4I3C diesel

Cooled EGR

Diesel Oxidation Catalyst with SCR

Full flow engine oil filter

Air cleaner – replaceable dry type
with radial seal

Aspirated air cleaner

Radiator with de-aeration bottle

Antifreeze to -34° F (-37° C)

Throttles, both rotary hand and foot

Self adjusting belt

DRIVETRAIN

Front axle, as selected:

2WD heavy-duty front axle with
11.0 L x 16.0 tires

4WD heavy-duty mechanically driven front
axle with 12.0 L x 16.5 tires

Rear axle:

2/4WD heavy-duty outboard planetary drive
with 17.5 L x 24.0 tires

4F-4R Power Shuttle Synchromesh
transmission

Torque converter – 11.8 in (300 mm)

On-the-go electric 4WD control

Electric F/R shuttle control

Electric differential lock control, push-button
activation on the loader control lever

Park brake, spring-applied, hydraulic
release – SAHR

HYDRAULICS

Pump 28.5 gal/min @ 3,350 psi
(107.9 L/min @ 231 bar)

Heavy-duty hydraulic oil cooler

7-micron, spin on oil filter

LOADER

See page 2

BACKHOE

See page 2

OTHER

Forward tilt engine hood

Replaceable, molded front bumpers

Front/Rear tie downs

Reflective logos

Lights – cab and canopy:

2 front driving

2 rear tail/stop

2 front flashers/turn

2 rear flashers/turn

Lights – cab only:

Adjustable halogen work lights – 55 W:

2 front

2 side – left and right

4 rear

Lights – canopy only:

Adjustable halogen work lights – 55 W:

2 side – left and right

2 rear

TELEMATICS

CASE SiteWatch™ Telematics – includes
hardware and a 3-yr Advanced
data subscription

OPTIONAL EQUIPMENT

OPERATOR ENVIRONMENT

Speed Selectable Auto Ride Control –
4WD models

Standard Ride Control – 2WD models

Comfort Steering with momentary latching
switch, two-speed steering pump and
3rd/4th gear cutout

ROPS/FOPS certified protective cab with rear
wipers and floor mat

Cab Convenience Package containing
pull-down sun visor, window washer – front
and rear, left-hand storage tray, deluxe
interior package, tilt steering column, Sound
Reduction Package for cab models – levels
reduced to 72 dB (A), right-hand threshold
storage box, viscous fan

Air-conditioning for cab models

Mechanical suspension seat with flip-up
armrests, 180° swivel, heated cloth or vinyl,
adjustable seat and weight, backrest angle,
lumbar and cushion angle

Air Ride suspension seat with flip-up armrests,
180° swivel, heated, electric height
adjustment, adjustable backrest and lumbar
support – cab units cloth, canopy units vinyl

Pull-down sun visor for canopy models

Radio, AM/FM Stereo/WB, MP3 auxiliary
input – cab models

3 in (75 mm) seat belt for mechanical and
air-suspension seat

ENGINE

Cold Weather Starting Aid
with dual 12 Volt batteries and glow plugs

Block heater

DRIVETRAIN

Powershift S-Type transmission, 4F-3R fully
synchronized, electronic transmission
controller and kick down in loader control
lever – 2WD or 4WD

Heavy-duty outboard planetary drive
without 19.5 L x 24.0 tires

LOADER

Auxiliary hydraulics for loader-mounted
equipment with thumb-operated
proportional control

Hydraulic front quick coupler

Loader linkage without loader bucket

Tool portfolio of additional attachments

Buckets – see page 2

BACKHOE

Auxiliary backhoe unidirectional hydraulics

Auxiliary backhoe combo hydraulics:

Hand lever operated for bidirectional
manual controls

Button operated for pilot controls, includes
unidirectional and bidirectional

Auxiliary hydraulics with flow from
0 to 28 gal/min (0 to 106 L/min)

Extendahoe®

Two-lever controls – backhoe or Extendahoe®

BACKHOE (continued)

Pilot operated control system:

Fingertip proportional Electro-Hydraulic
stabilizer controls

Thumb-operated proportional Electro-
Hydraulic Extendahoe® control

Thumb-operated horn button

Thumb-operated auxiliary hydraulic control

Infinitely adjustable towers

In-cab switchable “excavator to backhoe”
control pattern change

Flip over stabilizer pads

Cemetery/Street pads

Case mechanical quick coupler

Universal coupler – CAT/Deere compatible

Buckets – see page 2

OTHER

Front:

11.0 L x 16.0 10-ply or 12.0 L x 16.5 8-ply

Rear:

17.5 L x 24.0 10-ply or 19.5 L x 24.0 10-ply

Special paint

Canopy lights – Additional 2 front and 2 rear
halogen lights – 55 W

Tool box – bolt-on, step-mounted

Front counterweights:

700 lb and 1,100 lb (318 kg and 500 kg)

Rotating beacon

Master disconnect switch and
remote jump-start terminals

Eco-Mode – Detent on backhoe hand throttle,
push button switch on desk



NOTE: All specifications are stated in accordance with SAE Standards or Recommended Practices, where applicable.

NOTE: All engines meet current EPA emissions requirements.

IMPORTANT: Case Construction Inc. reserves the right to change these specifications without notice and without incurring any obligation relating to such change. Case Construction Inc. does not warrant the safety or reliability of attachments from other manufacturers.

CASE is a trademark registered in the United States and many other countries, owned by or licensed to CNH Industrial N.V., its subsidiaries or affiliates. CNH Industrial Capital is a trademark in the United States and many other countries, owned by or licensed to CNH Industrial N.V., its subsidiaries or affiliates.

Form No. CCE201503580N
Replaces Form No. CCE201502580N

Printed in U.S.A.
580N • Page 7 of 7



www.casece.com

© 2015 CNH Industrial America LLC
All Rights Reserved



All Case construction equipment is biodiesel ready.