

ENGINE

Model	Isuzu AR-4HK1X
Emissions Certification	Tier 4 Final
Fuel	Requires ultra-low sulfur fuel B5 biodiesel tolerant
Type	Water-cooled, 4-cycle diesel, high pressure common rail system – electric control. VGT Turbocharger w/ air cooled intercooler, SCR system
Cylinders	4-cylinder in-line
Displacement	317 in ³ (5.2 L)
Bore/Stroke	4.53 x 4.92 in (115 x 125 mm)
Fuel injection	Direct injection – electronic
Fuel filter	Replaceable, full flow spin-on cartridge
Air filter	Dry type element w/ warning restriction indicator
Oil filter	Replaceable, full flow spin-on cartridge
Engine gradeability:	
Side-to-side	35°
Fore and aft	35°
Net horsepower – SAE J1349 @ 1800 RPM:	160 hp (119.3 kW)
Net max. torque – SAE J1349 @ 1600 RPM:	458 lbf-ft (621 N·m)
Cooling operating range:	113° to -4°F (45° to -20°C)
Oil	Requires low-ash oil CJ-4

DRIVETRAIN

Travel control	Dual stage relief/ counter balance design
Brakes	Mechanical disc
Service brakes	SAHR disc – each motor
Two speed travel:	
Max. high speed	3.5 mph (5.6 km/h)
Max. low speed	2.1 mph (3.4 km/h)
Automatic downshift	
Drawbar pull	42,264 lbf (188 kN)
Gradeability	70% – 35° Slope

ELECTRICAL

Voltage	24 Volts
Alternator rating	50 amp
Batteries	2 x 12 Volt
Battery reserve capacity	92 Ah/5 hour
Work lights – 4	24 Volt/70 watt
1 boom, 1 upper, 2 cab	

OPERATOR ENVIRONMENT

Air conditioner output	18,100 BTU/hr
Heater output	20,150 BTU/hr
Sound level inside cab – ISO6396	70 dBA
Electrical outlet	12 Volt
Cab interior light	10 watt
Rear view camera	Standard
Monitor:	
Rear view and side view – optional camera display; Mode 1: work mode; Travel mode; Attachment selection; Auto idle indicator; Fuel consumption gauge; Power boost icon; Fuel bar graph; Oil temperature bar graph; DEF/AdBlue bar graph; Auto glow indicator; Auxiliary mode display; Hour meter; Camera angle indicator; Mode 2: free swing/swing lock indicator; Light icon; Wiper icon; Mute icon; Seat belt icon; Warning messages; Time and date; Water temperature bar graph; DEF/AdBlue refill icon; Anti-theft icon; DTC indicator; Low output icon; SCR cleaning icon; SCR warning icons; Freeze protection; Trip meter; Pressure reading.	
Seat:	
High-back seat w/ heat and air suspension; Adjustments: 65° tilt, manual weight, seat height, headrest, lumbar support, backrest angle, pivoting armrests linked to consoles; Retractable seat belt and control consoles adjust independently of seat.	

ATTACHMENT

Boom	18 ft 8 in (5.70 m)
Arm options:	
Standard	9 ft 8 in (2.94 m)
Heavy-duty	7 ft 10 in (2.40 m)
Bucket digging force*	31,923 lbf (142 kN)
w/ Auto Power-Boost	34,621 lbf (154 kN)

NOTE: *Digging force ratings based on ISO6015.

OPERATING WEIGHT

Operating weight	48,973 lb (22 214 kg)
w/ shoes	2 ft 7 in (800 mm)
w/ boom	18 ft 8 in (5.7 m)
w/ arm	9 ft 8 in (2.94 m)
w/ bucket	1,433 lb (650 kg)
w/ counterweight	8,642 lb (3 920 kg)

NOTE: W/ operator/full fuel/standard equipment.

GROUND PRESSURE

@ Standard operating weight	4.9 psi (0.34 bar)
w/ 31.5 in (800 mm) triple semi-grouser shoes	

HYDRAULICS

System design	Open center
Main pumps	Two-variable displacement/ axial piston pumps w/ regulating system
Max. rated flow x 2	55.7 gpm (211 L/min)
System pressures:	
Boom, arm and bucket w/ Power Boost	4,975 psi (343 bar)
Travel circuits	5,410 psi (373 bar)
Swing circuits	4,975 psi (343 bar)
	4,264 psi (294 bar)
Pilot pump	1 x gear design
Max. capacity	4.8 gpm (18 L/min)
Controls	w/ boom/arm holding valve
Right track travel, bucket, boom and arm acceleration.	1 x Four-spool section
Left track travel, auxiliary, swing, boom and arm acceleration.	1 x Five-spool section
Work mode selections	SP: Speed Priority H: Heavy-Duty A: Automatic
Swing motor	Fixed displacement axial piston
Swing final drive	Planetary gear reduction
Travel motor	Two-speed independent travel/axial piston

HYDRAULIC CYLINDERS

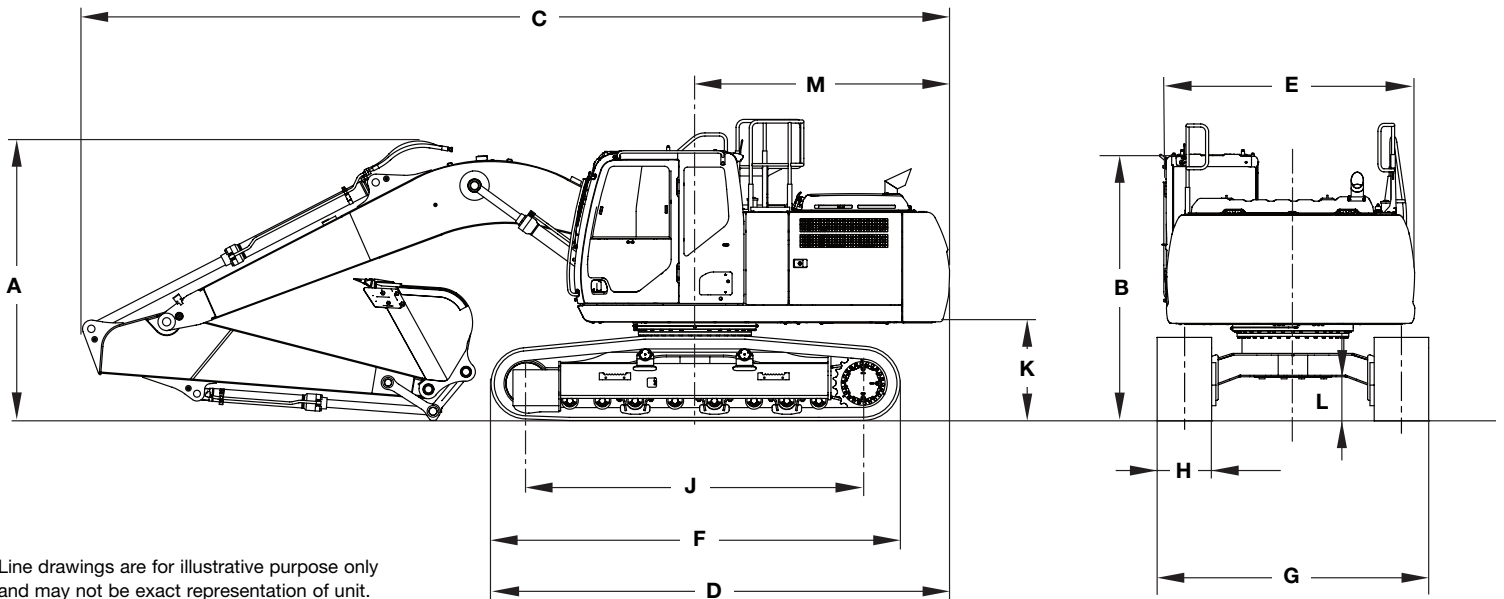
Boom cylinders	Two (2)
Cylinder bore	4.7 in (120 mm)
Cylinder rod diameter	3.3 in (85 mm)
Cylinder stroke	49.4 in (1 255 mm)
Arm cylinder	One (1)
Cylinder bore	5.5 in (140 mm)
Cylinder rod diameter	3.9 in (100 mm)
Cylinder stroke	57.5 in (1 460 mm)
Bucket cylinder	One (1)
Cylinder bore	4.7 in (120 mm)
Cylinder rod diameter	3.3 in (85 mm)
Cylinder stroke	39.8 in (1 010 mm)

SERVICE CAPACITIES

Fuel tank	108.3 gal (410 L)
Hydraulic system	66.0 gal (250 L)
Hydraulic tank	38.8 gal (147 L)
Engine oil w/ filter	6.1 gal (23.1 L)
Swing drive	1.3 gal (5 L)
Final drive	1.3 gal (5 L)
Cooling system	8.3 gal (31.4 L)
DEF Tank	31.7 gal (120 L)

OTHER SPECIFICATIONS

Swing speed	11.5 RPM
Swing torque	47,204 lbf-ft (64 kN-m)
Swing brake	Mechanical disc
Undercarriage:	
Length	14 ft 8 in (4 470 mm)
Track gauge	7 ft 10 in (2 390 mm)
Carrier rollers	2
Track rollers	8
Shoes – triple grouser	
Shoe width – std.	2 ft 7 in (800 mm)
Link pitch	7.5 in (190 mm)
Track:	
Chain	Grease lubricated/strutted
Guides	Single
Adjustment	Hydraulic

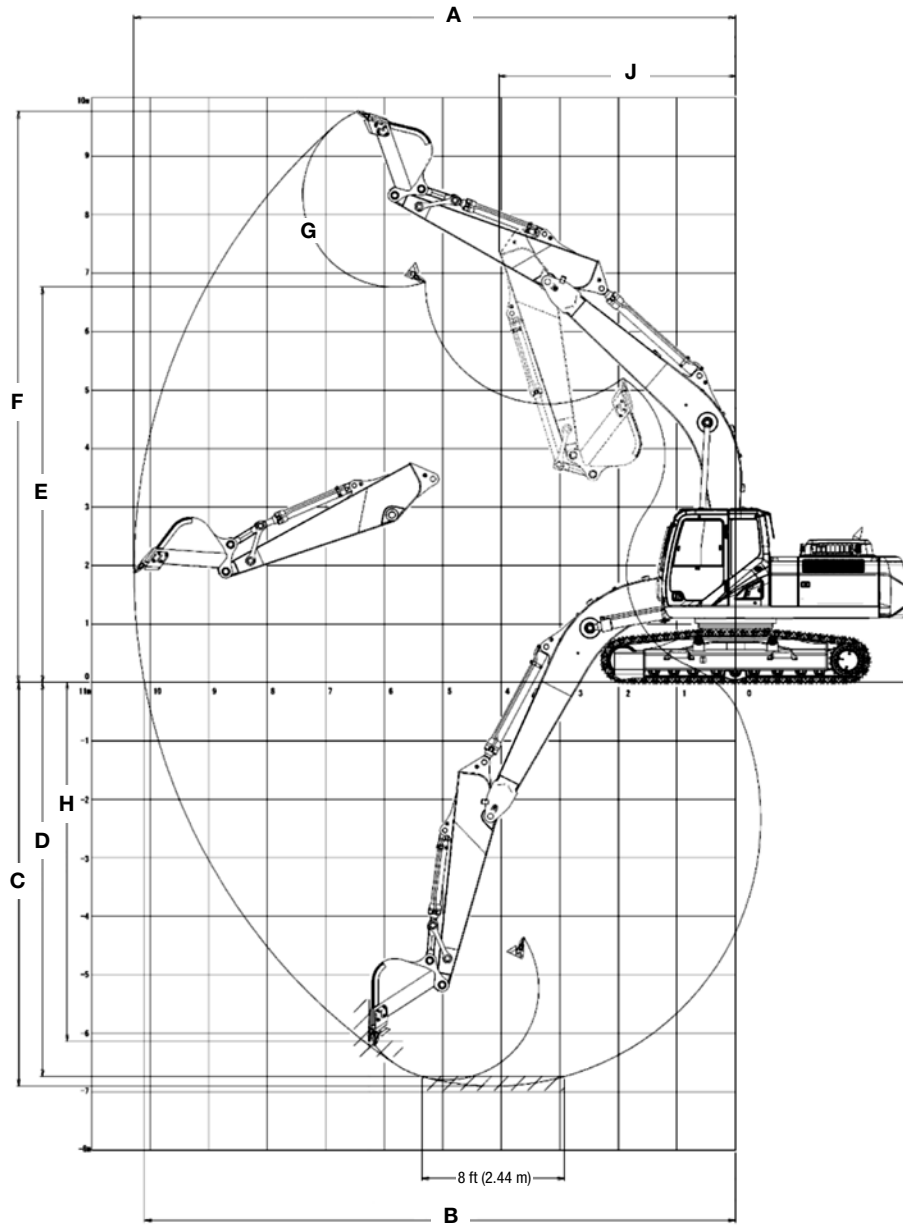


Line drawings are for illustrative purpose only and may not be exact representation of unit.

DIMENSIONS

	9 ft 8 in (2.94 m) Arm	7 ft 10 in (2.40 m) Arm
A. Overall height – with attachment	10 ft 0 in (3 040 mm)	10 ft 8 in (3 240 mm)
B. Cab height	9 ft 10 in (2 990 mm)	9 ft 10 in (2 990 mm)
Overall height to top of guardrail	10 ft 9 in (3 280 mm)	10 ft 9 in (3 280 mm)
C. Overall length – with attachment	30 ft 11 in (9 430 mm)	31 ft 2 in (9 510 mm)
D. Overall length – without attachment	16 ft 5 in (5 000 mm)	16 ft 5 in (5 000 mm)
E. Width of upper structure	9 ft 1 in (2 770 mm)	9 ft 1 in (2 770 mm)
F. Track overall length	14 ft 8 in (4 470 mm)	14 ft 8 in (4 470 mm)
G. Track overall width with 31.5 in (800 mm) shoes	10 ft 6 in (3 190 mm)	10 ft 6 in (3 190 mm)
H. Track shoe width	2 ft 7 in (800 mm)	2 ft 7 in (800 mm)
J. Center to center – idler to sprocket	12 ft 0 in (3 660 mm)	12 ft 0 in (3 660 mm)
K. Upper structure ground clearance	3 ft 5 in (1 050 mm)	3 ft 5 in (1 050 mm)
L. Minimum ground clearance	1 ft 5 in (440 mm)	1 ft 5 in (440 mm)
M. Rear tail swing radius	9 ft 2 in (2 790 mm)	9 ft 2 in (2 790 mm)
Operating weight*	48,973 lb (22 214 kg)	48,859 lb (22 162 kg)
Ground pressure	4.9 psi (0.34 bar)	4.9 psi (0.34 bar)

NOTE: *With 18 ft 8 in (5.70 m) boom, 31.5 in (800 mm) track shoe, 1,433 lb (650 kg) bucket, 165 lb (75 kg) operator, full fuel and standard equipment.



PERFORMANCE SPECS

	9 ft 8 in (2.94 m) Arm	7 ft 10 in (2.40 m) Arm
A. Maximum dig radius	32 ft 6 in (9 900 mm)	30 ft 11 in (9 420 mm)
B. Dig radius at groundline	31 ft 11 in (9 730 mm)	30 ft 4 in (9 240 mm)
C. Maximum dig depth	21 ft 10 in (6 650 mm)	20 ft 1 in (6 110 mm)
D. Dig depth – 8 ft 0 in (2.44 m) level bottom	22 ft 1 in (6 740 mm)	19 ft 4 in (5 900 mm)
E. Dump height	22 ft 4 in (6 810 mm)	21 ft 7 in (6 590 mm)
F. Maximum reach height	31 ft 6 in (9 610 mm)	30 ft 10 in (9 390 mm)
G. Bucket rotation	177°	177°
H. Maximum vertical wall dig depth	19 ft 7 in (5 960 mm)	18 ft 0 in (5 480 mm)
J. Minimum swing radius	12 ft 0 in (3 660 mm)	11 ft 11 in (3 620 mm)
Arm digging force:		
Standard	23,155 lbf (103 kN)	27,651 lbf (123 kN)
Power Boost	25,179 lbf (112 kN)	29,900 lbf (133 kN)
Bucket digging force:		
Standard	31,923 lbf (142 kN)	31,923 lbf (142 kN)
Power Boost	34,621 lbf (154 kN)	34,621 lbf (154 kN)

LIFT CAPACITIES

9 ft 8 in (2.94 m) Lift capacities using a 1,433 lb (650 kg) bucket, 8,642 lb (3 920 kg) counterweight.

Load (Lift Point Height)	MINIMUM REACH			5 ft (1.5 m)		10 ft (3 m)		15 ft (4.5 m)		20 ft (6 m)		25 ft (7.5 m)		30 ft (9 m)		MAXIMUM REACH		
	@	END	SIDE	END	SIDE	END	SIDE	END	SIDE	END	SIDE	END	SIDE	END	SIDE	@	END	SIDE
+25 ft (7.5 m)	20 ft 2 in (6.16 m)	6,250 lb* (2 980 kg)*	6,250 lb* (2 980 kg)*									5,100 lb* (2 960 kg)*	5,100 lb* (2 960 kg)*			25 ft 0 in (7.73 m)	5,000 lb* (2 260 kg)*	5,000 lb* (2 260 kg)*
+20 ft (6 m)	20 ft 1 in (6.11 m)	9,200 lb* (4 180 kg)*	9,200 lb* (4 180 kg)*									8,550 lb* (3 940 kg)*	7,850 lb (3 660 kg)			28 ft 4 in (8.69 m)	4,750 lb* (2 150 kg)*	4,750 lb* (2 150 kg)*
+15 ft (4.5 m)	16 ft 11 in (4.98 m)	11,350 lb* (4 870 kg)*	11,350 lb* (4 870 kg)*							10,300 lb* (4 760 kg)*	10,300 lb* (4 760 kg)*	9,800 lb* (4 490 kg)*	7,600 lb (3 550 kg)	5,700 lb* (3 180 kg)*	5,400 lb (2 530 kg)	30 ft 4 in (9.26 m)	4,700 lb* (2 140 kg)*	4,700 lb* (2 140 kg)*
+10 ft (3 m)	7 ft 3 in (2.23 m)	19,400 lb* (8 280 kg)*	19,400 lb* (8 280 kg)*			22,500 lb* (10 500 kg)*	22,500 lb* (10 500 kg)*	16,500 lb* (7 670 kg)*	16,350 lb (7 580 kg)	12,700 lb* (5 880 kg)*	10,550 lb (4 900 kg)	10,700 lb* (4 930 kg)*	7,300 lb (3 400 kg)	8,300 lb* (3 870 kg)	5,300 lb (2 460 kg)	31 ft 3 in (9.53 m)	4,850 lb* (2 210 kg)*	4,850 lb (2 200 kg)
+5 ft (1.5 m)	8 ft 3 in (2.52 m)	9,350 lb* (4 220 kg)*	9,350 lb* (4 220 kg)*			20,300 lb* (8 580 kg)*	20,300 lb* (8 580 kg)*	20,550 lb* (9 540 kg)*	15,450 lb (7 180 kg)	14,850 lb* (6 860 kg)*	9,950 lb (4 630 kg)	11,000 lb (5 110 kg)	7,000 lb (3 250 kg)	8,150 lb (3 790 kg)	5,100 lb (2 390 kg)	31 ft 3 in (9.53 m)	5,200 lb* (2 350 kg)*	4,750 lb (2 150 kg)
Groundline	5 ft 8 in (1.72 m)	8,300 lb* (3 770 kg)*	8,300 lb* (3 770 kg)*			18,950 lb* (8 330 kg)*	18,950 lb* (8 330 kg)*	22,800 lb* (10 540 kg)*	14,600 lb (6 780 kg)	15,200 lb (7 080 kg)	9,500 lb (4 410 kg)	10,700 lb (4 970 kg)	6,700 lb (3 130 kg)	7,650 lb* (3 730 kg)	5,000 lb (2 330 kg)	30 ft 6 in (9.28 m)	5,700 lb* (2 600 kg)*	4,900 lb (2 220 kg)
-5 ft (-1.5 m)	1 ft 7 in (0.48 m)	11,700 lb* (5 220 kg)*	11,700 lb* (5 220 kg)*	16,400 lb* (7 490 kg)*	16,400 lb* (7 490 kg)*	24,400 lb* (10 770 kg)*	24,400 lb* (10 770 kg)*	23,200 lb* (10 710 kg)*	14,350 lb (6 660 kg)	14,950 lb (6 960 kg)	9,250 lb (4 300 kg)	10,550 lb (4 910 kg)	6,600 lb (3 070 kg)			28 ft 8 in (8.76 m)	6,650 lb* (3 010 kg)*	5,350 lb (2 430 kg)
-10 ft (-3 m)	1 ft 7 in (0.48 m)	18,100 lb* (8 080 kg)*	18,100 lb* (8 080 kg)*	22,300 lb* (9 960 kg)*	22,300 lb* (9 960 kg)*	33,500 lb* (14 770 kg)*	28,750 lb (13 430 kg)	22,550 lb* (10 420 kg)*	14,500 lb (6 730 kg)	15,050 lb (6 990 kg)	9,350 lb (4 340 kg)	10,700 lb (4 980 kg)	6,750 lb (3 130 kg)			25 ft 11 in (7.92 m)	8,400 lb* (3 790 kg)*	6,350 lb (2 860 kg)
-15 ft (-4.5 m)	4 ft 0 in (1.16 m)	29,150 lb* (12 870 kg)*	29,150 lb* (12 870 kg)*	31,500 lb* (13 990 kg)*	31,500 lb* (13 990 kg)*	28,900 lb* (13 430 kg)*	28,750 lb (13 990 kg)	19,900 lb* (9 260 kg)*	14,950 lb (6 940 kg)	14,100 lb* (6 630 kg)*	9,850 lb (4 550 kg)					21 ft 8 in (6.67 m)	11,850 lb* (5 360 kg)*	8,500 lb (3 790 kg)

7 ft 10 in (2.40 m) Lift capacities using a 1,543 lb (700 kg) bucket, 8,642 lb (3 920 kg) counterweight.

Load (Lift Point Height)	MINIMUM REACH			5 ft (1.5 m)		10 ft (3 m)		15 ft (4.5 m)		20 ft (6 m)		25 ft (7.5 m)		30 ft (9 m)		MAXIMUM REACH		
	@	END	SIDE	END	SIDE	END	SIDE	END	SIDE	END	SIDE	END	SIDE	END	SIDE	@	END	SIDE
+25 ft (7.5 m)	18 ft 5 in (5.64 m)	5,600 lb* (2 680 kg)*	5,600 lb* (2 680 kg)*							8,700 lb* (3 510 kg)*	8,700 lb* (3 510 kg)*					22 ft 11 in (7.1 m)	7,400 lb* (3 340 kg)*	7,400 lb* (3 340 kg)*
+20 ft (6 m)	18 ft 4 in (5.57 m)	10,250 lb* (4 680 kg)*	10,250 lb* (4 680 kg)*							10,250 lb* (4 670 kg)*	10,250 lb* (4 670 kg)*	9,400 lb* (4 320 kg)*	7,600 lb (3 550 kg)			26 ft 7 in (8.14 m)	7,000 lb* (3 170 kg)*	6,750 lb (3 020 kg)
+15 ft (4.5 m)	13 ft 4 in (4.03 m)	13,250 lb* (6 870 kg)*	13,250 lb* (6 870 kg)*					13,600 lb* (6 320 kg)*	13,600 lb* (6 320 kg)*	11,300 lb* (5 240 kg)*	10,850 lb* (5 020 kg)	10,450 lb* (4 840 kg)*	7,400 lb (3 460 kg)			28 ft 8 in (8.76 m)	6,950 lb* (3 140 kg)*	5,700 lb (2 580 kg)
+10 ft (3 m)	9 ft 9 in (3.00 m)	14,650 lb* (6 520 kg)*	14,650 lb* (6 520 kg)*			26,000 lb*	26,000 lb*	17,950 lb* (8 230 kg)*	16,250 lb* (7 530 kg)	13,500 lb* (6 240 kg)*	10,300 lb (4 780 kg)	11,100 lb (5 150 kg)	7,150 lb (3 320 kg)	(3 580 kg)*	(2 400 kg)	29 ft 8 in (9.05 m)	7,150 lb* (3 240 kg)*	5,250 lb (2 370 kg)
+5 ft (1.5 m)	10 ft 7 in (3.21 m)	13,450 lb* (6 110 kg)*	13,450 lb* (6 110 kg)*					21,300 lb* (9 810 kg)*	15,050 lb (6 990 kg)	15,400 lb (7 120 kg)*	9,750 lb (4 530 kg)	10,800 lb (5 040 kg)	6,850 lb (3 180 kg)	(3 740 kg)	(2 340 kg)	29 ft 8 in (9.05 m)	7,550 lb* (3 430 kg)*	5,100 lb (2 320 kg)
Groundline	8 ft 8 in (2.64 m)	12,750 lb* (5 790 kg)*	12,750 lb* (5 790 kg)*			17,000 lb* (7 480 kg)*	17,000 lb* (7 480 kg)*	23,100 lb* (10 680 kg)*	14,400 lb (6 680 kg)	15,050 lb (7 010 kg)	9,350 lb (4 340 kg)	10,600 lb (4 920 kg)	6,650 lb (3 080 kg)			28 ft 10 in (8.78 m)	8,350 lb* (3 780 kg)*	5,300 lb (2 400 kg)
-5 ft (-1.5 m)	3 ft 4 in (1.03 m)	12,350 lb* (5 520 kg)*	12,350 lb* (5 520 kg)*	18,050 lb* (8 040 kg)*	18,050 lb* (8 040 kg)*	25,150 lb* (11 120 kg)*	25,150 lb* (11 120 kg)*	23,050 lb* (10 640 kg)*	14,300 lb (6 650 kg)	14,900 lb (6 940 kg)	9,200 lb (4 280 kg)	10,550 lb (4 900 kg)	6,600 lb (3 060 kg)			27 ft 0 in (8.23 m)	9,400 lb (4 260 kg)	5,900 lb (2 670 kg)
-10 ft (-3 m)	3 ft 5 in (1.03 m)	22,050 lb* (9 830 kg)*	22,050 lb* (9 830 kg)*	25,150 lb* (11 250 kg)*	25,150 lb* (11 250 kg)*	31,800 lb* (14 690 kg)*	29,000 lb (13 510 kg)	21,850 lb* (10 090 kg)*	14,550 lb (6 770 kg)	15,050 lb (7 000 kg)	9,400 lb (4 360 kg)					23 ft 11 in (7.33 m)	11,450 lb (5 140 kg)	7,200 lb (3 230 kg)
-15 ft (-4.5 m)	6 ft 5 in (1.88 m)	42,150 lb* (16 900 kg)*	42,150 lb* (16 900 kg)*			25,950 lb* (12 080 kg)*	25,950 lb* (12 080 kg)*	18,100 lb* (8 460 kg)*	15,100 lb (7 020 kg)							19 ft 4 in (5.96 m)	12,050 lb* (5 500 kg)*	10,200 lb (4 530 kg)

NOTE: *Following number indicates hydraulic capacity.

STANDARD EQUIPMENT

ENGINE

Isuzu AR-4HK1X
Tier 4 Final Certified
Selective Catalytic Reduction – SCR
Diesel Oxidation Catalyst – DOC
Cooled Exhaust Gas Recirculation – CEGR
EGR Coolers
Four-cylinder turbo-charged diesel
VGT turbocharger
Electronic fuel injection
High pressure common rail system
Neutral safety start
Auto-engine warm up
Glow-plug pre-heat
Fuel Economy Assist System – FEA
Engine Protection Feature – EPF
Dual-stage fuel filtration
Dual element air filter
Remote oil filter
Drain for fuel tank
Remote engine oil drain
500-hour engine oil change interval
24 Volt system
Engine oil sample port
Battery disconnect switch
Emergency engine stop
External Fuel and DEF gauges
Fan housing
Fuel cooler
Fuel filter restriction indicator
Fuel shut-off valve
Idle start
Radiator, oil cooler, intercooler – protective screen

FUEL ECONOMY SYSTEMS

Engine Idle/Fuel Economy System:
Auto-idle
One-touch idle
Auto-idle shut-down
BEC – Boom Economy Control
AEC – Auto Economy Control
SWC – Swing Relief Control
SSC – Spool Stroke Control

HYDRAULICS

Auto power boost
Auto swing priority
Arm speed assistance – 2 pump flow
Auxiliary flow control
Auxiliary valve
Boom speed assistance – 2 pump flow
Bucket curl assist
Control levers pre-wired for auxiliary hydraulics
Electronically controlled hydraulic pumps
Holding valve – Boom and Arm
Fire wall
Hydraulic filter restriction indicator
Neutral pump de-stroke
Oil cooler

HYDRAULICS (continued)

Power save
Pump stand-by pressure
Auto travel speed change
Selectable work modes
Free swing
Hydraulic oil sample port
Control pattern selector
Pre-set auxiliary pump settings
Auxiliary valve
5,000-hour hydraulic oil change interval
1,000-hour hydraulic filter change interval
SAHR brake

UPPER STRUCTURE

ISO mirrors – 3
Cab ISO-Mounts – fluid and spring
Upper mounted work light – 70 watt
Swivel guard belly pan
Center cover – over main CV
Fuel tank belly pan
Handrail – RH access
ISO guard rails
Lifting eyes for counterweight
Lockable fuel cap, service doors and tool box

ATTACHMENTS

Boom – 18 ft 8 in (5.70 m)
Arm – 9 ft 8 in (2.94 m)
Heavy-duty bucket linkage
Boom mounted work light – 70 watt
Auxiliary pipe brackets
Centralized grease fittings
Attachment cushion valve
Arm and boom regeneration
Bucket anti-clatter device
Chrome pins
Easy Maintenance System (EMS) bushings
Teardrop pin retention keepers

OPERATOR ENVIRONMENT

ROPS protection
FOPS cab top guard – Level 1
Pressurized cab
Face vent
Cab lights – 2
Interior dome light
One-touch lock front window
One piece window – right
Safety glass windows
Gate lock hydraulic activation
Emergency exit and hammer
Clear polycarbonate roof window with sunshade
AC/heat/defrost with auto climate control
LED Color monitor – 7 in (180 mm)
26 selectable languages for monitor
On-board diagnostic system

OPERATOR ENVIRONMENT (continued)

10 programmable attachments settings on monitor – 5 single flow, 5 dual flow
Seatbelt – 3 in (76 mm)
Heated high-back cloth seat with air suspension and 65° tilt adjustment
Sliding seat – 3.54 in (90 mm)
Adjustable armrests
Tilting consoles – 4-position
Sliding cockpit – 3.15 in (80 mm)
Low-effort joystick controls
Controls pre-wired for auxiliary
Straight travel
AM/FM radio with antenna, 2 speakers and Bluetooth capabilities
Aux-in port for personal electronics
Radio mute switch – joystick
Rear-view camera
Anti-theft system – start code system
Rubber floor mat
12 Volt electric outlet
24 Volt cigarette lighter
Windshield wiper/washer
Cup holder
Storage compartments
Warm/cool storage compartment
Travel alarm with cancel switch
Ignition keys
One key start & lock-up
Cab filter – external
Cab handrails
Operator's manual

UNDERCARRIAGE

Long undercarriage
31.5 in (800 mm) steel shoes, triple semi-grouser
Full overlap turntable bearing tub
Single track chain guides
Hydraulic track adjustment
Sealed link chain
Steps
Carbody belly pan – swivel guard
X-pattern carbody
Lashing points – tie downs
Extra Filter Kit:
Engine oil filter
Filter wrench
Fuel filters
Grease gun
Green plug oil drain hose for engine oil drain
Hydraulic return filter
Pilot circuit hydraulic filter

TELEMATICS

CASE SiteWatch™ Telematics – includes hardware and a 3-yr Advanced data subscription

OPTIONAL EQUIPMENT

ENGINE

Refueling pump
Air pre-cleaner – Cyclone
High ambient temperature cooling package

HYDRAULICS

Auxiliary hydraulics:
Single acting/joystick activated
Double acting/joystick activated – thumb
Multi-function with electronic pressure control/joystick activated with electronic proportional controls
Secondary low-flow/joystick activated
Proportional hydraulic controls
Hose Burst Check Valve – HBCV

ATTACHMENTS

Heavy-duty arm – 7 ft 10 in (2.40 m)
Quick coupler/Case multi-pin grabber
Tools:
Heavy-duty/Extreme-duty/Ditching Buckets; Hammers; Thumbs; Compaction plates.
Load holding control

UPPER STRUCTURE

Rubber bumper guard – order through Service Parts

UNDERCARRIAGE

23.6 in (600 mm) rubber link chain, bolt-on rubber pads on steel chain
23.6 in (600 mm) steel shoes, triple semi-grouser
27.6 in (700 mm) steel shoes, triple semi-grouser
Track guides – triple

OPERATOR ENVIRONMENT

FOPS cab top guard – Level 2
Front grill guard – 2 x 2 in (50.8 x 50.8 mm) screen mesh
Front rock guard – vertical bars
Two piece/OPG 1
Front rock guard – vertical bars
One piece/OPG 2
Vandal guard (front window) with common key
Rain deflector – not available with Front guards
Sun visor
Side-view camera
LED Package:
Includes 1 Side view camera and 6 LED Lights – 2 front cab mounted, 2 rear mounted and 1 mounted on each side



NOTE: All specifications are stated in accordance with SAE Standards or Recommended Practices, where applicable.

NOTE: All engines meet current EPA emissions requirements.

IMPORTANT: Case Construction Equipment Inc. reserves the right to change these specifications without notice and without incurring any obligation relating to such change. Case Construction Equipment Inc. does not warrant the safety or reliability of attachments from other manufacturers.

CASE is a trademark registered in the United States and many other countries, owned by or licensed to CNH Industrial N.V., its subsidiaries or affiliates. CNH Industrial Capital is a trademark in the United States and many other countries, owned by or licensed to CNH Industrial N.V., its subsidiaries or affiliates.



www.casece.com