

**ENGINE**

Model	Isuzu AQ-6HK1X
Emissions Certification	Tier 4 Final
Fuel	Requires ultra low-sulfur fuel B5 biodiesel tolerant
Type	Water-cooled, 4-cycle diesel, 6-cylinder in-line, high pressure common rail system – electric control. VGT Turbocharger w/ air cooled intercooler, SCR system
Cylinders	6-cylinder in-line
Displacement	475 in <sup>3</sup> (7.8 L)
Bore/Stroke	4.53 x 4.92 in (115 x 125 mm)
Fuel injection	Direct injection – electronic
Fuel filter	Replaceable, full flow spin-on cartridge
Air filter	Dry type element w/ warning restriction indicator
Oil filter	Replaceable, full flow spin-on cartridge
Engine gradeability:	
Side-to-side	35°
Fore and aft	35°
Net horsepower – SAE J1349 @ 1800 RPM:	207 hp (154 kW)
Net Max. torque – SAE J1349 @ 1500 RPM:	626 lbf-ft (849 N·m)
Cooling operating range:	112° to -4° F (50° to -20° C)
Oil	Requires low-ash oil CJ-4

**DRIVETRAIN**

Travel control	Dual stage relief/counter balance design
Brakes	Mechanical disc
Service brakes	SAHR disc – each motor
Two speed travel:	
Max high speed	3.4 mph (5.4 km/h)
Max low speed	2.0 mph (3.2 km/h)
Automatic downshift	
Drawbar pull	52,380 lbf (233 kN)
Gradeability	70% – 35° Slope

**ELECTRICAL**

Voltage	24 Volts
Alternator rating	50 amp
Batteries	2 x 12 Volt
Battery reserve capacity	128 Ah/5 hour
Work lights – 4	24 Volt/70 watt
1 boom, 1 upper, 2 cab	

**OPERATOR ENVIRONMENT**

Air conditioner output	18,100 BTU/hr
Heater output	20,150 BTU/hr
Sound level inside cab – ISO6396	70 dBA
Electrical outlet	12 Volt
Cab interior light	10 watt
Rear view camera	Standard
Seat	Air-suspension, heated and 65° tiltable
Monitor:	
Rear view and side view – optional camera display; Mode 1: work mode; Travel mode; Attachment selection; Auto idle indicator; Fuel consumption gauge; Power boost icon; Fuel bar graph; Oil temperature bar graph; DEF/AdBlue bar graph; Auto glow indicator; Auxiliary mode display; Hour meter; Camera angle indicator; Mode 2: free swing/swing lock indicator; Light icon; Wiper icon; Mute icon; Seat belt icon; Warning messages; Time and date; Water temperature bar graph; DEF/AdBlue refill icon; Anti-theft icon; DTC indicator; Low output icon; SCR cleaning icon; SCR warning icons; Freeze protection; Trip meter; Pressure reading.	
Seat:	
High-back seat w/ heat and air suspension; Adjustments: 65° tilt, manual weight, seat height, headrest, lumbar support, backrest angle, pivoting armrests linked to consoles; Retractable seat belt and control consoles adjust independently of seat.	

**ATTACHMENT**

Boom	20 ft 2 in (6.15 m)
Arm options:	
Standard	10 ft 5 in (3.18 m)
Short	8 ft 8 in (2.65 m)
Long	12 ft 0 in (3.66 m)
Bucket digging force*	39,341 lbf (175 kN)
w/ Auto Power-Boost	42,781 lbf (190 kN)

NOTE: \*Digging force ratings based on ISO6015.

**OPERATING WEIGHT**

Operating weight	67,271 lb (30 514 kg)
w/ shoes	2 ft 7 in (800 mm)
w/ boom	20 ft 2 in (6.15 m)
w/ arm	10 ft 5 in (3.18 m)
w/ bucket	1,940 lb (880 kg)
w/ counterweight	11,244 lb (5 100 kg)

NOTE: W/ operator/full fuel/standard equipment.

**GROUND PRESSURE**

@ Standard operating weight	6.4 psi (0.44 bar)
w/ 31.5 in (800 mm) triple semi-grouser shoes	

**HYDRAULICS**

System design	Open center
Main pumps	Two variable displacement/axial piston
Max. rated flow	64.2 gpm (243 L/min)
System pressures:	
Boom, arm and bucket w/ Power Boost	4,975 psi (343 bar)
Travel circuits	5,410 psi (373 bar)
Swing circuits	4,975 psi (343 bar)
Swing circuits	4,409 psi (304 bar)
Pilot pump	1 x gear design
Max. capacity	7.1 gpm (27 L/min)
Controls	w/ boom/arm holding valve
Right track travel, bucket, boom and arm acceleration.	1 x Four-spool section
Left track travel, bucket, boom and arm acceleration.	1 x Five-spool section
Work mode selections	SP: Speed Priority H: Heavy-Duty A: Automatic
Swing motor	Fixed displacement axial piston
Swing final drive	Planetary gear reduction
Travel motor	Two-speed independent travel/axial piston

**HYDRAULIC CYLINDERS**

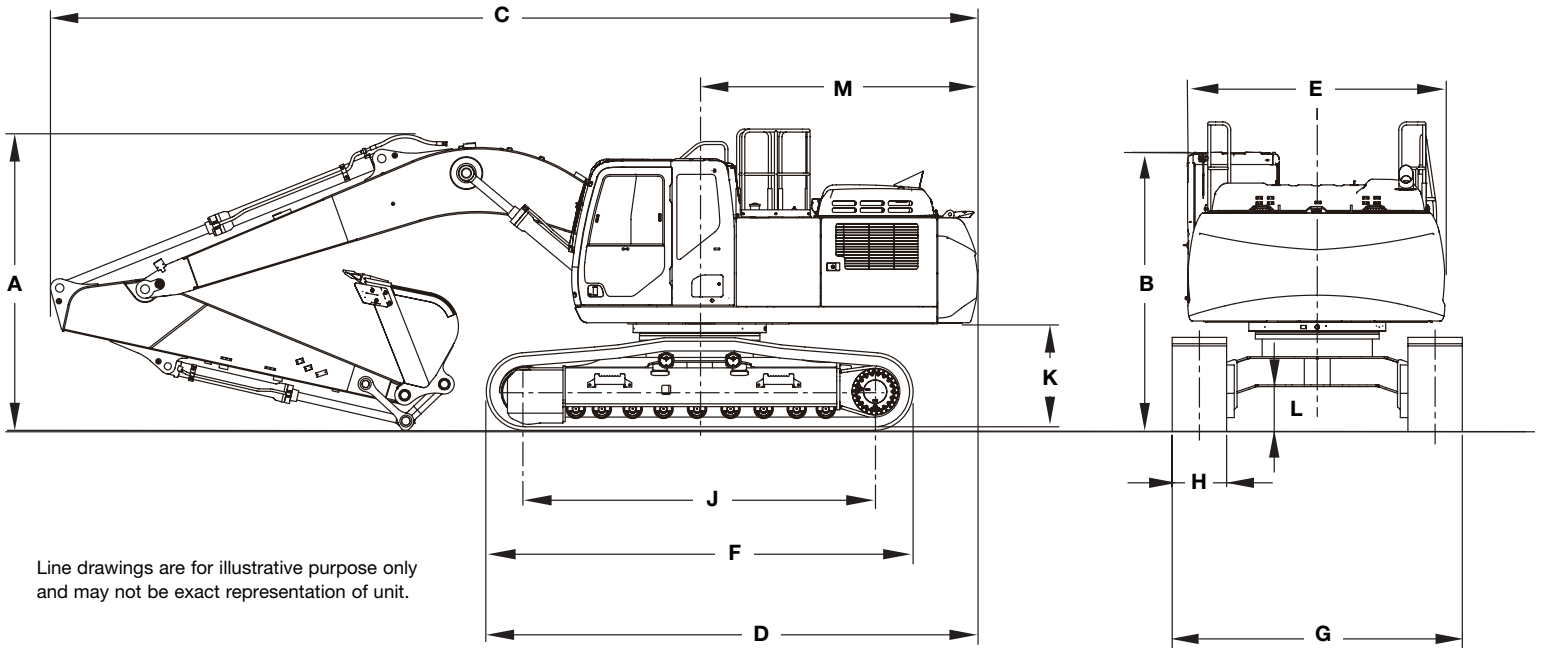
Boom cylinders	Two (2)
Cylinder bore	5.5 in (140 mm)
Cylinder rod diameter	3.7 in (95 mm)
Cylinder stroke	53.9 in (1 369 mm)
Arm cylinder	One (1)
Cylinder bore	5.9 in (150 mm)
Cylinder rod diameter	4.1 in (105 mm)
Cylinder stroke	65.0 in (1 650 mm)
Bucket cylinder	One (1)
Cylinder bore	5.3 in (135 mm)
Cylinder rod diameter	3.5 in (90 mm)
Cylinder stroke	42.4 in (1 078 mm)

**SERVICE CAPACITIES**

Fuel tank	120.7 gal (457 L)
Hydraulic system	79.3 gal (300 L)
Hydraulic tank	38.8 gal (147 L)
Engine oil w/ filter	10.8 gal (40.9 L)
Swing drive	1.3 gal (5.0 L)
Final drive	2.5 gal (9.5 L)
Cooling system	9.5 gal (35.9 L)
DEF Tank	31.7 gal (120 L)

## OTHER SPECIFICATIONS

Swing speed	10 RPM
Swing torque	68,151 lbf-ft (92.4 kN-m)
Swing brake	Mechanical disc
Undercarriage:	
Length	15 ft 11 in (4 850 mm)
Track gauge	8 ft 6 in (2 600 mm)
Carrier rollers	2
Track rollers	9
Shoes – triple grouser	
Shoe width – std.	2 ft 7 in (800 mm)
Link pitch	8 in (203 mm)
Track:	
Chain	Grease lubricated/strutted
Guides	Single
Adjustment	Hydraulic

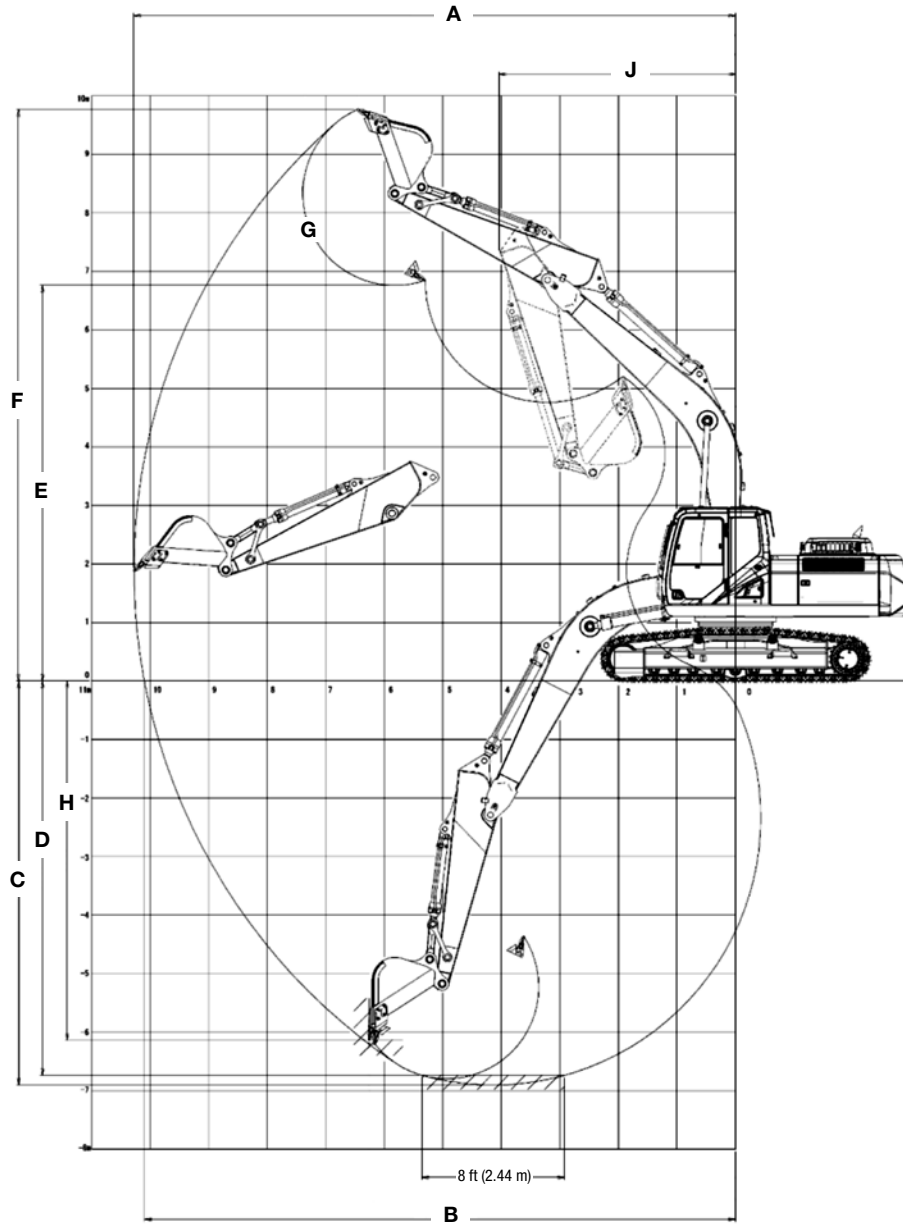


Line drawings are for illustrative purpose only and may not be exact representation of unit.

## DIMENSIONS

	10 ft 5 in (3.18 m) Arm	8 ft 8 in (2.65 m) Arm	12 ft 0 in (3.66 m) Arm
<b>A.</b> Overall height – with attachment	11 ft 0 in (3 350 mm)	10 ft 11 in (3 340 mm)	11 ft 4 in (3 460 mm)
<b>B.</b> Cab height	10 ft 3 in (3 130 mm)	10 ft 3 in (3 130 mm)	10 ft 3 in (3 130 mm)
Overall height to top of guardrail	11 ft 3 in (3 420 mm)	11 ft 3 in (3 420 mm)	11 ft 3 in (3 420 mm)
<b>C.</b> Overall length – with attachment	34 ft 6 in (10 510 mm)	34 ft 6 in (10 520 mm)	34 ft 5 in (10 500 mm)
<b>D.</b> Overall length – without attachment	18 ft 4 in (5 580 mm)	18 ft 4 in (5 580 mm)	18 ft 4 in (5 580 mm)
<b>E.</b> Width of upper structure	9 ft 6 in (2 890 mm)	9 ft 6 in (2 890 mm)	9 ft 6 in (2 890 mm)
<b>F.</b> Track overall length	15 ft 11 in (4 850 mm)	15 ft 11 in (4 850 mm)	15 ft 11 in (4 850 mm)
<b>G.</b> Track overall width with 31.5 in (800 mm) shoes	11 ft 2 in (3 400 mm)	11 ft 2 in (3 400 mm)	11 ft 2 in (3 400 mm)
<b>H.</b> Track shoe width	2 ft 7 in (800 mm)	2 ft 7 in (800 mm)	2 ft 7 in (800 mm)
<b>J.</b> Center to center – idler to sprocket	13 ft 1 in (3 980 mm)	13 ft 1 in (3 980 mm)	13 ft 1 in (3 980 mm)
<b>K.</b> Upper structure ground clearance	3 ft 11 in (1 190 mm)	3 ft 11 in (1 190 mm)	3 ft 11 in (1 190 mm)
<b>L.</b> Minimum ground clearance	1 ft 6 in (460 mm)	1 ft 6 in (460 mm)	1 ft 6 in (460 mm)
<b>M.</b> Rear tail swing radius	10 ft 4 in (3 160 mm)	10 ft 4 in (3 160 mm)	10 ft 4 in (3 160 mm)
Operating weight*	67,271 lb (30 514 kg)	67,050 lb (30 414 kg)	67,602 lb (30 664 kg)
Ground pressure	6.4 psi (0.44 bar)	6.4 psi (0.44 bar)	6.4 psi (0.44 bar)

NOTE: \*Machine equipped with 20 ft 2 in (6.15 m) boom, 31.5 in (800 mm) track shoe, 1,940 lb (880 kg) bucket, 165 lb (75 kg) operator, full fuel and standard equipment.



**PERFORMANCE SPECS**

	<b>10 ft 5 in (3.18 m) Arm</b>	<b>8 ft 8 in (2.65 m) Arm</b>	<b>12 ft 0 in (3.66 m) Arm</b>
<b>A.</b> Maximum dig radius	35 ft 0 in (10 670 mm)	33 ft 6 in (10 220 mm)	36 ft 7 in (11 160 mm)
<b>B.</b> Dig radius at groundline	34 ft 5 in (10 490 mm)	32 ft 11 in (10 030 mm)	36 ft 0 in (10 980 mm)
<b>C.</b> Maximum dig depth	23 ft 4 in (7 100 mm)	21 ft 7 in (6 570 mm)	24 ft 10 in (7 580 mm)
<b>D.</b> Dig depth – 8 ft 0 in (2.44 m) level bottom	22 ft 9 in (6 940 mm)	21 ft 0 in (6 390 mm)	24 ft 5 in (7 440 mm)
<b>E.</b> Dump height	23 ft 3 in (7 080 mm)	22 ft 9 in (6 930 mm)	24 ft 3 in (7 390 mm)
<b>F.</b> Maximum reach height	33 ft 0 in (10 050 mm)	32 ft 7 in (9 930 mm)	34 ft 1 in (10 390 mm)
<b>G.</b> Bucket rotation	176°	176°	176°
<b>H.</b> Maximum vertical wall dig depth	20 ft 0 in (6 100 mm)	18 ft 10 in (5 750 mm)	22 ft 0 in (6 710 mm)
<b>J.</b> Minimum swing radius	13 ft 3 in (4 030 mm)	13 ft 1 in (3 980 mm)	13 ft 5 in (4 080 mm)
Arm digging force:			
Standard	28,865 lbf (128 kN)	33,047 lbf (147 kN)	25,696 lbf (114 kN)
Power Boost	31,383 lbf (140 kN)	35,947 lbf (160 kN)	27,944 lbf (124 kN)
Bucket digging force:			
Standard	39,342 lbf (175 kN)	39,342 lbf (175 kN)	39,342 lbf (175 kN)
Power Boost	42,781 lbf (190 kN)	42,781 lbf (190 kN)	42,781 lbf (190 kN)

# LIFT CAPACITIES

**10 ft 5 in (3.18 m)** Lift capacities using a 1,786 lb (810 kg) bucket, 11,244 lb (5 100 kg) counterweight.

Load (Lift Point Height)	5 ft (1.5 m)		10 ft (3 m)		15 ft (4.5 m)		20 ft (6 m)		25 ft (7.5 m)		30 ft (9 m)		MAXIMUM REACH		
	END	SIDE	END	SIDE	END	SIDE	END	SIDE	END	SIDE	END	SIDE	@	END	SIDE
+30 ft (9 m)													(7.40 m)	(3 810 kg)*	(3 810 kg)*
+25 ft (7.5 m)									11,750 lb* (5 270 kg)*	11,750 lb* (5 270 kg)*			28 ft 4 in (8.72 m)	7,850 lb* (3 540 kg)*	7,850 lb* (3 540 kg)*
+20 ft (6 m)									13,250 lb* (6 190 kg)*	12,750 lb (5 940 kg)	10,250 lb* (5 030 kg)*	9,150 lb (4 270 kg)	31 ft 3 in (9.56 m)	7,600 lb* (3 460 kg)*	7,600 lb* (3 460 kg)*
+15 ft (4.5 m)							17,500 lb* (8 060 kg)*	17,350 lb (8 040 kg)*	15,800 lb* (7 240 kg)*	12,350 lb (5 740 kg)	13,100 lb* (6 190 kg)*	8,950 lb (4 180 kg)	32 ft 11 in (10.06 m)	7,700 lb* (3 490 kg)*	7,450 lb (3 370 kg)
+10 ft (3 m)			39,400 lb* (18 420 kg)*	39,400 lb* (18 420 kg)*	27,700 lb* (12 880 kg)*	26,400 lb (12 250 kg)	21,000 lb* (9 710 kg)*	16,900 lb (7 850 kg)	17,500 lb* (8 060 kg)*	11,800 lb (5 490 kg)	13,300 lb (6 190 kg)	8,700 lb (4 050 kg)	33 ft 9 in (10.29 m)	8,000 lb* (3 630 kg)*	7,000 lb (3 160 kg)
+5 ft (1.5 m)			18,450 lb* (7 840 kg)*	18,450 lb* (7 840 kg)*	33,400 lb* (15 480 kg)*	24,650 lb (11 440 kg)	23,950 lb* (11 060 kg)*	15,950 lb (7 400 kg)	17,400 lb (8 100 kg)	11,300 lb (5 240 kg)	13,000 lb (6 040 kg)	8,400 lb (3 910 kg)	33 ft 9 in (10.28 m)	8,500 lb* (3 860 kg)*	6,850 lb (3 110 kg)
Groundline			19,900 lb* (8 790 kg)*	19,900 lb* (8 790 kg)*	35,750 lb* (16 420 kg)*	23,300 lb (10 830 kg)	24,150 lb (11 230 kg)	15,150 lb (7 040 kg)	16,950 lb (7 870 kg)	10,850 lb (5 040 kg)	12,700 lb (5 920 kg)	8,150 lb (3 790 kg)	32 ft 11 in (10.03 m)	9,350 lb* (4 240 kg)*	7,000 lb (3 190 kg)
-5 ft (-1.5 m)	19,700 lb* (8 810 kg)*	19,700 lb* (8 810 kg)*	25,950 lb* (11 510 kg)*	25,950 lb* (11 510 kg)*	35,750 lb* (16 490 kg)*	22,850 lb (10 640 kg)	23,650 lb (11 010 kg)	14,750 lb (6 850 kg)	16,650 lb (7 740 kg)	10,600 lb (4 910 kg)	12,600 lb (5 860 kg)	8,050 lb (3 740 kg)	31 ft 3 in (9.54 m)	10,750 lb* (4 850 kg)*	7,550 lb (3 430 kg)
-10 ft (-3 m)	25,000 lb* (11 200 kg)*	25,000 lb* (11 200 kg)*	34,750 lb* (15 380 kg)*	34,750 lb* (15 380 kg)*	34,150 lb* (15 770 kg)*	23,000 lb* (10 710 kg)*	23,650 lb (11 010 kg)	14,800 lb (6 870 kg)	16,700 lb (7 760 kg)	10,650 lb (4 950 kg)			28 ft 8 in (8.77 m)	13,200 lb* (5 920 kg)*	8,650 lb (3 910 kg)
-15 ft (-4.5 m)	33,800 lb* (15 060 kg)*	33,800 lb* (15 060 kg)*	42,200 lb* (15 590 kg)*	42,200 lb* (15 590 kg)*	29,900 lb* (13 890 kg)*	23,500 lb (10 930 kg)	22,150 lb* (10 330 kg)*	15,200 lb (7 040 kg)	(7 480 kg)*	(5 080 kg)			24 ft 11 in (7.66 m)	15,250 lb* (6 930 kg)*	10,850 lb (4 860 kg)
-20 ft (-6 m)			29,350 lb* (13 930 kg)*	29,350 lb* (13 930 kg)*	21,250 lb* (10 140 kg)*	21,250 lb* (10 140 kg)*	(6 800 kg)*	(6 800 kg)*					19 ft 5 in (6.04 m)	14,200 lb* (6 510 kg)*	14,200 lb* (6 510 kg)*

**8 ft 8 in (2.65 m)** Lift capacities using a 1,918 lb (870 kg) bucket, 11,244 lb (5 100 kg) counterweight.

Load (Lift Point Height)	5 ft (1.5 m)		10 ft (3 m)		15 ft (4.5 m)		20 ft (6 m)		25 ft (7.5 m)		30 ft (9 m)		MAXIMUM REACH		
	END	SIDE	END	SIDE	END	SIDE	END	SIDE	END	SIDE	END	SIDE	@	END	SIDE
+25 ft (7.5 m)									12,800 lb* (6 150 kg)*	12,650 lb (5 920 kg)			26 ft 6 in (8.16 m)	9,750 lb* (4 400 kg)*	9,750 lb* (4 400 kg)*
+20 ft (6 m)							16,900 lb*	16,900 lb*	14,950 lb* (6 950 kg)*	12,550 lb (5 830 kg)	(4 630 kg)*	(4 180 kg)	29 ft 7 in (9.06 m)	9,450 lb* (4 280 kg)*	9,200 lb (4 120 kg)
+15 ft (4.5 m)					21,100 lb* (10 040 kg)*	21,100 lb* (10 040 kg)*	19,150 lb* (8 840 kg)*	17,550 lb (8 150 kg)	16,850 lb* (7 720 kg)*	12,150 lb (5 650 kg)	13,450 lb (6 270 kg)	8,850 lb (4 120 kg)	31 ft 5 in (9.60 m)	9,500 lb* (4 310 kg)*	8,050 lb (3 640 kg)
+10 ft (3 m)					29,200 lb* (13 450 kg)*	26,100 lb (12 100 kg)	22,200 lb* (10 270 kg)*	16,650 lb (7 730 kg)	17,800 lb (8 260 kg)	11,650 lb (5 420 kg)	13,200 lb (6 150 kg)	8,600 lb (4 010 kg)	32 ft 3 in (9.84 m)	9,850 lb* (4 470 kg)*	7,500 lb (3 410 kg)
+5 ft (1.5 m)					33,900 lb* (15 640 kg)*	24,200 lb (11 240 kg)	24,600 lb (11 430 kg)*	15,750 lb (7 310 kg)	17,300 lb (8 050 kg)	11,200 lb (5 200 kg)	12,950 lb (6 020 kg)	8,350 lb (3 890 kg)	32 ft 3 in (9.83 m)	10,450 lb* (4 740 kg)*	7,400 lb (3 350 kg)
Groundline			18,600 lb* (8 210 kg)*	18,600 lb* (8 210 kg)*	35,900 lb* (16 540 kg)*	23,150 lb (10 770 kg)	24,050 lb (11 190 kg)	15,100 lb (7 010 kg)	16,900 lb (7 860 kg)	10,850 lb (5 030 kg)	12,750 lb (5 920 kg)	8,150 lb (3 800 kg)	31 ft 5 in (9.57 m)	11,450 lb* (5 190 kg)*	7,600 lb (3 460 kg)
-5 ft (-1.5 m)	20,600 lb* (9 190 kg)*	20,600 lb* (9 190 kg)*	26,500 lb* (11 750 kg)*	26,500 lb* (11 750 kg)*	35,550 lb* (16 400 kg)*	23,050 lb (10 720 kg)	23,700 lb (11 040 kg)	14,850 lb (6 890 kg)	16,700 lb (7 770 kg)	10,650 lb (4 950 kg)	(5 910 kg)	(3 790 kg)	29 ft 8 in (9.05 m)	12,950 lb (5 850 kg)	8,300 lb (3 750 kg)
-10 ft (-3 m)	27,450 lb* (12 310 kg)*	27,450 lb* (12 310 kg)*	37,650 lb* (16 620 kg)*	37,650 lb* (16 620 kg)*	33,100 lb* (15 280 kg)*	23,300 lb (10 840 kg)*	23,750 lb (11 050 kg)	15,000 lb (6 950 kg)	16,900 lb (7 840 kg)	10,900 lb (5 040 kg)			26 ft 11 in (8.24 m)	15,050 lb (6 780 kg)	9,650 lb (4 350 kg)
-15 ft (-4.5 m)			37,900 lb* (17 630 kg)*	37,900 lb* (17 630 kg)*	27,650 lb* (12 890 kg)*	23,800 lb (11 070 kg)	20,300 lb* (9 550 kg)*	15,500 lb (7 200 kg)					22 ft 11 in (7.05 m)	15,400 lb* (6 980 kg)*	12,550 lb (5 590 kg)

NOTE: \*Following number indicates hydraulic capacity.

# LIFT CAPACITIES

**12 ft 0 in (3.66 m)** Lift capacities using a 1,742 lb (790 kg) bucket, 11,244 lb (5 100 kg) counterweight.

Load (Lift Point) Height	5 ft (1.5 m)		10 ft (3 m)		15 ft (4.5 m)		20 ft (6 m)		25 ft (7.5 m)		30 ft (9 m)		35 ft (10.5 m)		MAXIMUM REACH		
	END	SIDE	END	SIDE	END	SIDE	END	SIDE	END	SIDE	END	SIDE	END	SIDE	@	END	SIDE
<b>+30 ft (9 m)</b>															26 ft 1 in (8.10 m)	6,850 lb* (3 070 kg)*	6,850 lb* (3 070 kg)*
<b>+25 ft (7.5 m)</b>									9,850 lb* (4 600 kg)*	9,850 lb* (4 600 kg)*	6,850 lb* (3 650 kg)*	6,850 lb* (3 650 kg)*			30 ft 3 in (9.30 m)	6,300 lb* (2 850 kg)*	6,300 lb* (2 850 kg)*
<b>+20 ft (6 m)</b>									12,150 lb* (5 710 kg)*	12,150 lb* (5 710 kg)*	10,100 lb* (4 760 kg)*	9,250 lb* (4 320 kg)*			32 ft 11 in (10.08 m)	6,100 lb* (2 770 kg)*	6,100 lb* (2 770 kg)*
<b>+15 ft (4.5 m)</b>									14,750 lb* (6 750 kg)*	12,450 lb* (5 800 kg)*	11,900 lb* (5 550 kg)*	9,000 lb* (4 210 kg)*	(3 050 kg)*	(3 050 kg)*	34 ft 7 in (10.56 m)	6,150 lb* (2 790 kg)*	6,150 lb* (2 790 kg)*
<b>+10 ft (3 m)</b>			20,550 lb* (10 710 kg)*	20,550 lb* (10 710 kg)*	25,450 lb* (11 810 kg)*	25,450 lb* (11 810 kg)*	19,750 lb* (9 130 kg)*	17,150 lb* (7 950 kg)*	16,650 lb* (7 660 kg)*	11,900 lb* (5 530 kg)*	13,350 lb* (6 210 kg)*	8,700 lb* (4 060 kg)*	7,450 lb* (3 990 kg)*	6,500 lb* (3 050 kg)*	35 ft 4 in (10.78 m)	6,350 lb* (2 890 kg)*	6,350 lb* (2 890 kg)*
<b>+5 ft (1.5 m)</b>			24,650 lb* (10 420 kg)*	24,650 lb* (10 420 kg)*	31,550 lb* (14 640 kg)*	25,050 lb* (11 620 kg)*	22,900 lb* (10 590 kg)*	16,050 lb* (7 460 kg)*	17,450 lb* (8 120 kg)*	11,300 lb* (5 260 kg)*	12,950 lb* (6 040 kg)*	8,350 lb* (3 900 kg)*	7,850 lb* (4 250 kg)*	6,350 lb* (2 970 kg)*	35 ft 4 in (10.76 m)	6,750 lb* (3 060 kg)*	6,250 lb* (2 830 kg)*
<b>Groundline</b>	8,900 lb* (3 990 kg)*	8,900 lb* (3 990 kg)*	20,300 lb* (8 930 kg)*	20,300 lb* (8 930 kg)*	35,050 lb* (16 210 kg)*	23,400 lb* (10 870 kg)*	24,150 lb* (11 250 kg)*	15,150 lb* (7 050 kg)*	16,900 lb* (7 870 kg)*	10,800 lb* (5 020 kg)*	12,650 lb* (5 890 kg)*	8,050 lb* (3 760 kg)*	(3 510 kg)*	(2 910 kg)	34 ft 7 in (10.53 m)	7,350 lb* (3 340 kg)*	6,400 lb* (2 890 kg)*
<b>-5 ft (-1.5 m)</b>	17,200 lb* (7 710 kg)*	17,200 lb* (7 710 kg)*	24,550 lb* (10 880 kg)*	24,550 lb* (10 880 kg)*	35,600 lb* (16 440 kg)*	22,650 lb* (10 540 kg)*	23,550 lb* (10 960 kg)*	14,600 lb* (6 790 kg)*	16,550 lb* (7 690 kg)*	10,450 lb* (4 860 kg)*	12,450 lb* (5 800 kg)*	7,900 lb* (3 670 kg)*			33 ft 0 in (10.06 m)	8,350 lb* (3 790 kg)*	6,850 lb* (3 090 kg)*
<b>-10 ft (-3 m)</b>	22,350 lb* (10 020 kg)*	22,350 lb* (10 020 kg)*	31,650 lb* (14 020 kg)*	31,650 lb* (14 020 kg)*	34,650 lb* (16 000 kg)*	22,700 lb* (10 550 kg)*	23,450 lb* (10 900 kg)*	14,550 lb* (6 760 kg)*	16,500 lb* (7 660 kg)*	10,450 lb* (4 840 kg)*	12,500 lb* (5 830 kg)*	8,000 lb* (3 710 kg)*			30 ft 7 in (9.34 m)	10,100 lb* (4 540 kg)*	7,700 lb* (3 840 kg)*
<b>-15 ft (-4.5 m)</b>	29,800 lb* (13 250 kg)*	29,800 lb* (13 250 kg)*	42,650 lb* (19 030 kg)*	42,650 lb* (19 030 kg)*	31,350 lb* (14 550 kg)*	23,100 lb* (10 730 kg)*	23,200 lb* (10 790 kg)*	14,850 lb* (6 880 kg)*	16,600 lb* (7 710 kg)*	10,800 lb* (5 000 kg)*					27 ft 0 in (8.30 m)	13,250 lb* (5 920 kg)*	9,400 lb* (4 220 kg)*
<b>-20 ft (-6 m)</b>			34,350 lb* (16 170 kg)*	34,350 lb* (16 170 kg)*	24,450 lb* (11 540 kg)*	23,350 lb* (10 870 kg)*	17,300 lb* (8 310 kg)*	15,200 lb* (7 070 kg)*							22 ft 0 in (6.82 m)	14,000 lb* (6 390 kg)*	13,150 lb* (5 790 kg)*

NOTE: \*Following number indicates hydraulic capacity.

## STANDARD EQUIPMENT

---

### ENGINE

Isuzu AQ-6HK1X  
Tier 4 Final Certified  
Selective Catalytic Reduction – SCR  
Diesel Oxidation Catalyst – DOC  
Cooled Exhaust Gas Recirculation – CEGR  
EGR Coolers  
Six-cylinder turbo-charged diesel  
VGT turbocharger  
Electronic fuel injection  
High pressure common rail system  
Neutral safety start  
Auto-engine warm up  
Glow-plug pre-heat  
Fuel Economy Assist System – FEA  
Engine Protection Feature – EPF  
Dual-stage fuel filtration  
Dual element air filter  
Remote oil filter  
Drain for fuel tank  
Remote engine oil drain  
500-hour engine oil change interval  
24 Volt system  
Engine oil sample port  
Battery disconnect switch  
High ambient temperature cooling package  
Emergency engine stop  
External Fuel and DEF gauges  
Fan housing  
Fuel cooler  
Fuel filter restriction indicator  
Fuel shut-off valve  
Idle start  
Radiator, oil cooler, intercooler – protective screen

---

### FUEL ECONOMY SYSTEMS

Engine Idle/Fuel Economy System:  
Auto-idle  
One-touch idle  
Auto-idle shut-down  
BEC – Boom Economy Control  
AEC – Auto Economy Control  
SWC – Swing Relief Control  
SSC – Spool Stroke Control

---

### HYDRAULICS

Auto power boost  
Auto swing priority  
Arm speed assistance – 2 pump flow  
Auxiliary flow control  
Auxiliary valve  
Boom speed assistance – 2 pump flow  
Bucket curl assist  
Control levers pre-wired for auxiliary hydraulics  
Electronically controlled hydraulic pumps  
Holding valve – Boom and Arm  
Fire wall  
Hydraulic filter restriction indicator  
Neutral pump de-stroke

---

### HYDRAULICS (continued)

Oil cooler  
Power save  
Pump stand-by pressure  
Auto travel speed change  
Selectable work modes  
Free swing  
Hydraulic oil sample port  
Control pattern selector  
Pre-set auxiliary pump settings  
Auxiliary valve  
5,000-hour hydraulic oil change interval  
1,000-hour hydraulic filter change interval  
SAHR brake

---

### UPPER STRUCTURE

ISO mirrors – 3  
Cab ISO-Mounts – fluid and spring  
Upper mounted work light – 70 watt  
Swivel guard belly pan  
Center cover – over main CV  
Fuel tank belly pan  
Handrail – RH access  
ISO guard rails  
Lifting eyes for counterweight  
Lockable fuel cap, service doors and toolbox

---

### ATTACHMENTS

Boom – 20 ft 2 in (6.15 m)  
Arm – 10 ft 5 in (3.18 m)  
Heavy-duty bucket linkage  
Boom mounted work light – 70 watt  
Auxiliary pipe brackets  
Centralized grease fittings  
Attachment cushion valve  
Arm and boom regeneration  
Bucket anti-clatter device  
Chrome pins  
Easy Maintenance System (EMS) bushings  
Teardrop pin retention keepers

---

### OPERATOR ENVIRONMENT

ROPS protection  
FOPS cab top guard – Level 1  
Pressurized cab  
Face vent  
Cab lights – 2  
Interior dome light  
One-touch lock front window  
One piece window – right  
Safety glass windows  
Gate lock hydraulic activation  
Emergency exit and hammer  
Clear polycarbonate roof window with sunshade  
AC/heat/defrost with auto climate control  
LED Color monitor – 7 in (180 mm)  
26 selectable languages for monitor

---

### OPERATOR ENVIRONMENT (continued)

On-board diagnostic system  
10 programmable attachments settings on monitor – 5 single flow, 5 dual flow  
Seat belt – 3 in (76 mm)  
Heated high-back cloth seat with air suspension and 65° tilt adjustment  
Sliding seat – 3.54 in (90 mm)  
Adjustable armrests  
Tilting consoles – 4-position  
Sliding cockpit – 3.15 in (80 mm)  
Low-effort joystick controls  
Controls pre-wired for auxiliary  
Single pedal travel  
Straight travel  
AM/FM radio with antenna, 2 speakers and Bluetooth capabilities  
Aux-in port for personal electronics  
Radio mute switch – joystick  
Rear-view camera  
Anti-theft system – start code system  
Rubber floor mat  
12 Volt electric outlet  
24 Volt cigarette lighter  
Windshield wiper/washer  
Cup holder  
Storage compartments  
Warm/cool storage compartment  
Travel alarm with cancel switch  
Ignition keys  
One key start & lock-up  
Cab filter – external  
Cab handrails  
Operator's manual

---

### UNDERCARRIAGE

Long undercarriage  
31.5 in (800 mm) steel shoes, triple semi-grouser  
Full overlap turntable bearing tub  
Single track chain guides  
Hydraulic track adjustment  
Sealed link chain  
Steps  
Carbody belly pan – swivel guard  
X-pattern carbody  
Lashing points – tie downs  
Extra Filter Kit:  
Engine oil filter  
Filter wrench  
Fuel filters  
Grease gun  
Green plug oil drain hose for engine oil drain  
Hydraulic return filter  
Pilot circuit hydraulic filter

---

### TELEMATICS

CASE SiteWatch™ Telematics – includes hardware and a 3-yr Advanced data subscription

---

## OPTIONAL EQUIPMENT

### ENGINE

Refueling pump  
Air pre-cleaner – Cyclone

### HYDRAULICS

#### Auxiliary hydraulics:

Single acting/joystick activated  
Double acting/joystick activated – thumb  
Multi-function/joystick activated  
Multi-function with electronic pressure control/joystick activated with electronic proportional controls  
Secondary low-flow/joystick activated  
Proportional hydraulic controls

Hose Burst Check Valve – HBCV

### ATTACHMENTS

Heavy-duty arm – 8 ft 8 in (2.65 m)  
Long arm – 12 ft 0 in (3.66 m)  
Quick coupler/Case multi-pin grabber

#### Tools:

Heavy-duty/Extreme-duty/Ditching Buckets;  
Hammers; Thumbs; Compaction plates.

Load holding control

### UPPER STRUCTURE

Rubber bumper guard – order through  
Service Parts

### UNDERCARRIAGE

23.6 in (600 mm) steel shoes, triple semi-grouser  
27.6 in (700 mm) steel shoes, triple semi-grouser  
Track guides – triple

### OPERATOR ENVIRONMENT

FOPS cab top guard – Level 2  
Front grill guard – 2 x 2 in (50.8 x 50.8 mm) screen mesh  
Front rock guard – vertical bars  
Two piece/OPG 1  
Front rock guard – vertical bars  
One piece/OPG 2  
Vandal guard (front window) with common key  
Rain deflector – not available with Front guards  
Sun visor  
Side-view camera  
LED Package:  
Includes 1 Side view camera and 6 LED  
Lights – 2 front cab mounted, 2 rear mounted  
and 1 mounted on each side



NOTE: All specifications are stated in accordance with SAE Standards or Recommended Practices, where applicable.

NOTE: All engines meet current EPA emissions requirements.

IMPORTANT: Case Construction Equipment Inc. reserves the right to change these specifications without notice and without incurring any obligation relating to such change. Case Construction Equipment Inc. does not warrant the safety or reliability of attachments from other manufacturers.

CASE is a trademark registered in the United States and many other countries, owned by or licensed to CNH Industrial N.V., its subsidiaries or affiliates. CNH Industrial Capital is a trademark in the United States and many other countries, owned by or licensed to CNH Industrial N.V., its subsidiaries or affiliates.



[www.casece.com](http://www.casece.com)

