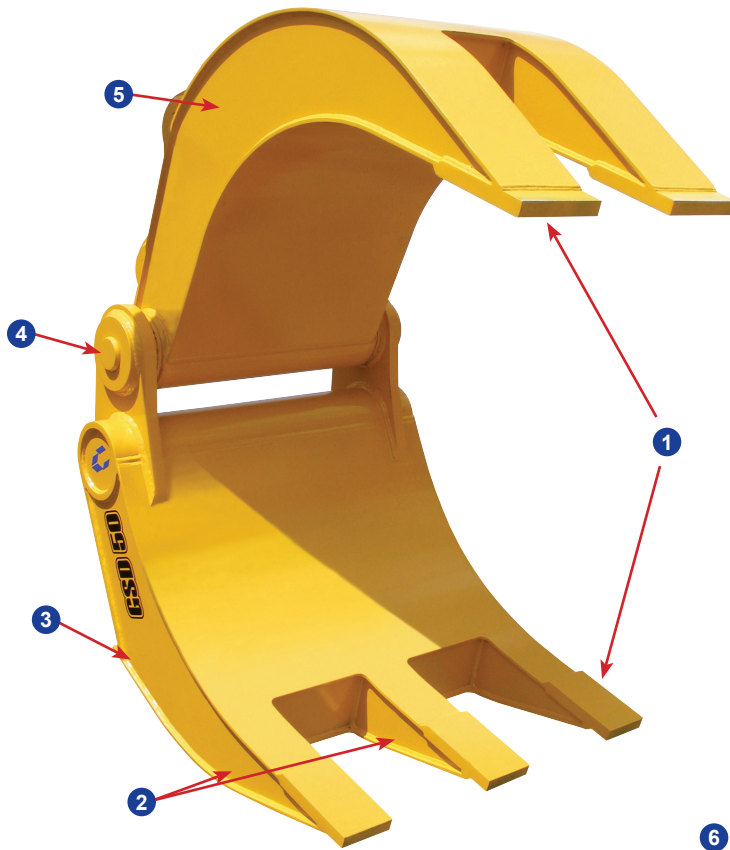


Severe-Duty Grapple (GSD)

FEATURES

- 1 Replaceable tine tips are abrasion-resistant Hardox steel
- 2 Boxed-tine construction creates a very high strength and lightweight grapple – each tine will withstand the full breakout force of the excavator
- 3 Recessed welds are protected from wear, increasing grapple life
- 4 Patent-pending pivot group features a large pivot shaft, and bearings provide long-term durability
- 5 Built with Weldox steel for the best combination of structural strength and wear durability
- 6 Stiff arm and mounting pad included



APPLICATIONS

- Demolition
- Scrap Handling & Compaction
- Rip-Rap Handling
- Road Building & Reconstruction
- C&D Sorting
- Land Clearing

Model	Weight*	Capacity	Jaw Opening**	Jaw Closed	Moveable Jaw Width	Lower Jaw Width	Excavator Weight
	(lbs.)	(yd ³)	(ins.)	(ins.)	(ins.)	(ins.)	(lbs.)
GSD 10	555	0.5 - 0.8	64	7	13	22	10,000 - 20,000
GSD 30	2,110	1.5 - 2.5	84	8	21	35	24,000 - 30,000
GSD 40	2,620	2.0 - 3.0	92	9	26	38	30,000 - 40,000
GSD 50	3,300	3.0 - 4.0	99	10	30	44	35,000 - 65,000
GSD 70	4,430	3.5 - 4.5	121	12	30	44	65,000 - 85,000
GSD 90	5,950	4.5 - 6.5	131	12	34	50	85,000 - 120,000
GSD 140	7,500	6.5 - 7.5	140	15	34	50	120,000 - 170,000
GSD 170	9,600	7.5 - 10.0	150	16	40	58	170,000 - 220,000
GSD 250	16,500	8.5 - 12.0	150	16	40	68	220,000 - 280,000

*Weight includes mounting bracket and stiff arm.

**Jaw opening varies slightly depending on excavator mounting location.

Genesis Severe-Duty Grapples can be ordered to work with most common quick couplers. Please consult with your Genesis salesperson for details.

Genesis Severe-Duty Grapples are covered by a 12-month, 1,500-hour (whichever occurs first) warranty.

Genesis reserves the right to continually make product improvements designed to positively enhance performance.