



Volvo Construction Equipment

# EW240E MATERIAL HANDLER

Volvo Excavators 28. t / 57,320 lb 173 hp





### Excavators are in our DNA

With nearly two centuries of engineering excellence, Volvo has been at the forefront of the construction equipment industry. Based on a pioneering spirit and great inventiveness, we have always been a driving force in moving technology forward since those early days.

---

# OVER 185 YEARS OF EXPERIENCE

---

### Purpose-built for waste and recycling

Put waste in its place with a full line of products, designed to help you stay efficient and productive. Throughout the years we have listened to your requirements, and our range of features and solutions, built specifically for waste and recycling, confirm our commitment to you.





*To succeed in the waste business, we need to show that we are good at what we do. Using Volvo branded machines gives us the confidence that we're working with the best equipment there is for the job.*

*Jay Alexander, Wayne Township Landfill, USA*

### **We're on your side**

With over 1,520 dealerships worldwide, Volvo will be there to support you – wherever you may be. From supplying machines to maintaining your operations, we are a one-stop-shop for all your needs.

# Purpose-built by Volvo

Throughout the decades, Volvo wheeled excavators have proven to be multi-purpose and reliable machines. Built on experience and the proven EW210D MH concept, comes our best material handler yet – the EW240E Material Handler. Specifically designed for waste and recycling industries and manufactured in the Volvo factory, this machine offers all the tested features from our previous excavators – and much more.

## Comfort Drive Control

New for the Volvo wheeled excavator range, Comfort Drive Control gives you the opportunity to control the machine using only the joystick, up to 20km/h. As an option, you can order the machine without the steering column, to boost further visibility.



## Volvo boom and arm

Lift with precision using the redesigned boom and arm. The boom cylinder dampening minimizes shaking and holds the grapple in place, for enhanced stability. The machine is equipped with an arm in limitation, designed to prevent collision between the cab and the grapple. As an extra safety feature when working indoors, Volvo offers the optional height limitation function.



## Smooth control

Experience instant response, thanks to the optimized hydraulics system and new proportional joystick, providing you with an array of functions at your fingertips. The grapple control and soft swing braking system work in harmony for improved accuracy during simultaneous operations.





*When our operators are working 12-hour shifts in the machines, we want to make sure they're comfortable. Their preference always lies with Volvo machines over any other brand.*  
*Clint Liddelow, C-Wise, Australia*



# OPERATORS CHOICE

Work in comfort in the spacious Volvo cab, which can be raised to lift you up to five meters above the ground, for a high level view. For smooth operation when working at height, the double damped cushioning reduces vibrations and noise. You can now raise the cab and move the outriggers directly from the redesigned joysticks.



*Over the years we have owned just about every kind of excavator known to man. But a Volvo machine offers the best value for money, and has always suited our needs best.*  
Mark Riffel, BN Steels & Metals, Canada



# CONFIGURED YOUR WAY

To enhance productivity, configure your machine both inside and out, and have it delivered to you straight from the factory. For increased visibility, you can fit your machine with Volvo Smart View or a one-piece polycarbonate window, with protection film. Additionally, you can select from a gooseneck arm or sorting/grab arm, to ensure you always have the best reach for the job.

# Designed by you, built by Volvo

To make sure our machines reflect what the market wants and needs, we have involved customers at every stage of development. The EW240E Material Handler has been rigorously tested at customer sites, to achieve optimum real-world performance. With a range of compatible attachments and available configurations, you have the power to enhance versatility and design a machine to specifically match your application.

## Versatility

From waste handling to scrap sorting, you can maximize your machine's productivity with a range of durable grapples – available to you through the Volvo factory. To facilitate easy operation, the Attachment Management System stores the settings for up to 20 different attachments, getting you back to work as fast as possible.



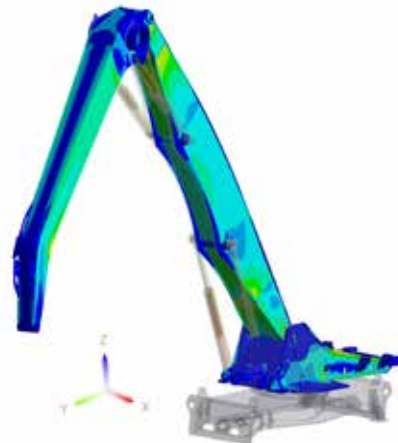
## Power up, fuel down

Move more with less. The powerful Volvo engine delivers 129 kW (173 hp) and is equipped with auto idle and auto engine shutdown functions, to reduce fuel consumption.



## From strong to stronger

Optimize machine uptime and the profitability of your business with the EW240E Material Handler, rigorously tested and proven to withstand the test of time. Built on experience, this machine will always perform dependably, keeping productivity high and downtime low.



### Comfort Drive Control

Control the machine using only the joystick. As an option, you can order the machine without the steering column.

### Volvo boom and arm

For enhanced stability, the boom cylinder dampening minimizes shaking and holds the grapple in place.

### Built for the job

Designed and tested in the toughest conditions, the machine is built with a powerful Volvo D6 engine and load sensing hydraulics.

### Power up, fuel down

Auto idle and optional auto engine shut down turn on automatically to reduce fuel consumption and machine wear.

### Factory-installed auxiliary lines

Unlock machine potential with factory-installed auxiliary circuits to power your grapples.

## CONFIGURED YOUR WAY

Choose from an array of options including one-piece single window, Volvo Smart View and gooseneck arm or sorting/grab arm.

### Smooth control

The specifically designed joystick and soft swing braking system work in harmony, for improved accuracy in simultaneous operations.

### Made in Germany

Designed, made and tested in Germany, the EW240E Material Handler is perfect for use anywhere in the world.

### Versatility

Maximize your machine's productivity with a range of sorting grabs or orange peel grapples.



# Made for material handling

## OPERATORS CHOICE

Integrate your joysticks with some additional functions, giving you the ability to raise the cab and move the outriggers from one control.

### Service made easy

For fast maintenance, greasing points are grouped together and all filters are located behind the engine door.

### Easier machine access/egress

Get in and out of the cab safely thanks to newly added steps on the outriggers.





*Our Volvo loaders and excavators are used in just about every area on the site. They sort and stack the heavy materials, load trucks, feed crushers and hoppers, and load boats. We couldn't do our job without them.*  
*Alexander Pouw, Pouw Group, Netherlands*



# DO MORE JOBS WITH JUST ONE MACHINE

Boost your machine's productivity with a range of compatible attachments, available straight from the Volvo factory. You also have access to a range of Volvo Services, designed to secure maximum return on investment. From Genuine Volvo Parts and Volvo service technicians, to proactive machine monitoring with ActiveCare Direct and operator training – everything is available from one place.



# Volvo EW240E Material Handler in detail

## Engine

Volvo Construction Equipment is ready to comply with the tough new EU Stage IV and US (EPA) Tier 4 Final legislation for off-road vehicles with the introduction of a cascade of innovations in its new generation engines with Volvo Advanced combustion technology (V-ACT). Volvo machines are equipped with in-line turbo charged diesel engine with high pressure common rail system. The engine features a externally cooled exhaust gas re-circulation (E-EGR), a Diesel Particulate Filter (DPF) and a Selective Catalytic Reduction(SCR) with AdBlue®/Diesel exhaust fluid (DEF).

| Engine                      | Volvo       | Volvo D6J    |
|-----------------------------|-------------|--------------|
| Max. power at               | r/min (r/s) | 1,800 (30)   |
| Net (ISO9249/SAEJ1349)      | kW (hp)     | 126 (167)    |
| Gross (ISO 14396/SAE J1995) | kW (hp)     | 129 (173)    |
| Max. torque                 | Nm (ft lbf) | 850 (627)    |
| at engine speed             | r/min (r/s) | 1,350 (22.5) |
| No. of cylinders            |             | 6            |
| Displacement                | l (in³)     | 5.7 (348)    |
| Bore                        | mm (in)     | 98 (3.9)     |
| Stroke                      | mm (in)     | 126 (5)      |

## Electrical system

|                  |      |          |
|------------------|------|----------|
| Voltage          | V    | 24       |
| Batteries        | V    | 2 x 12   |
| Battery capacity | Ah   | 2 x 140  |
| Alternator       | V/Ah | 28 / 120 |

## Swing system

The superstructure is slewed by the means of a axial motor with reduction gear box. Automatic slew holding brake and anti-rebound valve are standard.

|                  |              |             |
|------------------|--------------|-------------|
| Max. slew speed  | r/min        | 8           |
| Max. slew torque | kNm (ft lbf) | 54 (39,828) |

## Undercarriage

|  |             |                |
|--|-------------|----------------|
| Oscillating                                      | ± °         | 4.5            |
| Twin wheels                                      | type        | 10-20 or 11-20 |
| Tractive force (net)                             | kN (lbf)    | 121 (27,202)   |
| Travel speed, off road                           | km/h (mi/h) | 20 (12.4)      |
| Travel speed, creep                              | km/h (mi/h) | 3.2 (2)        |
| Min. turning radius                              | m (ft)      | 8.1 (26.6)     |
| Travel speeds may depend on to local regulations |             |                |

## Cab

Refrigerant of the type R134a is used when this machine is equipped with air conditioning. Contains fluorinated greenhouse gas R134a, Global Warming Potential 1.430 t CO<sub>2</sub>-eq.

## Sound Level

|  |       |     |
|--|-------|-----|
| Sound level in cab according to ISO 6396                                     |       |     |
| LpA  | dB(A) | 67  |
| External sound level according to ISO 6395 and EU Noise Directive 2000/14/EC |       |     |
| LwA (standard)   | dB(A) | 101 |
| LwA (tropical)   | dB(A) | 102 |

## Brake system

Service brakes: servo-hydraulically manoeuvred self-adjusting wet multidiscs with two separate brake circuits.  
 Parking brake: negative wet disc in gear housing, spring applied and pressure released.  
 Digging brake: service brake with mechanical lock system.  
 Security system: The 2-circuit travel brakes are supplied with two accumulators in the event of failure in the service brake system.

## Hydraulic system

Closed-centre load sensing hydraulic system with pressure compensated valves. Load independence of movements. Flow sharing feature, combined with a high flow pump (power regulation). The system gives superior manoeuvrability and fast movements, for optimal working result and economy

The following working modes are included in the system:

Parking mode (P): Parking position for optimal safety.

Travel mode (T): Engine speed is controlled by travel pedal stroke for low fuel consumption and noise.

Working mode (W): Full working flow with adjustable engine rpm for normal working and best speed utilisation.

Customer mode (C): Operator can set proper oil flow in accordance with job conditions.

Power Boost: All digging and lifting forces are increased.

### Main pump (type low noise axial piston pump)

|           |                 |          |
|-----------|-----------------|----------|
| Max. flow | l/min (gal/min) | 375 (99) |
|-----------|-----------------|----------|

### Brake + steering pump (type low noise gear pump)

|           |                 |           |
|-----------|-----------------|-----------|
| Max. flow | l/min (gal/min) | 48 (12.7) |
|-----------|-----------------|-----------|

### Servo pump (type low noise gear pump)

|           |                 |        |
|-----------|-----------------|--------|
| Max. flow | l/min (gal/min) | 15 (4) |
|-----------|-----------------|--------|

### Relief valve setting pressure

|               |           |            |
|---------------|-----------|------------|
| Implement     | MPa (psi) | 35 (5,076) |
| Travel system | MPa (psi) | 35 (5,076) |
| Slew system   | MPa (psi) | 23 (3,336) |
| Pilot system  | MPa (psi) | 3.5 (508)  |

## Total Machine Weights

With straight boom, with gooseneck arm 5 m / 16.4 ft, with solideal twin tyres 10-20, with grapple 600 l / 0.78 yd<sup>3</sup> (1,600 kg / 3,527 lb)

With front and rear outriggers kg (lb) 26,000 (57,320)

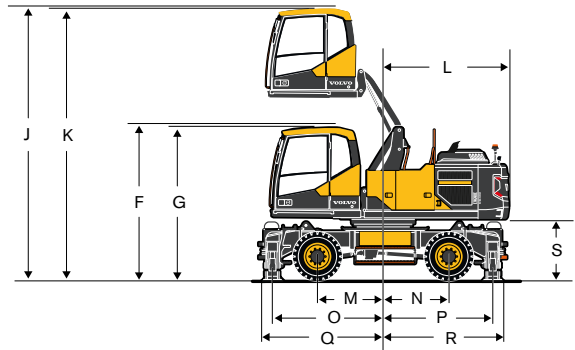
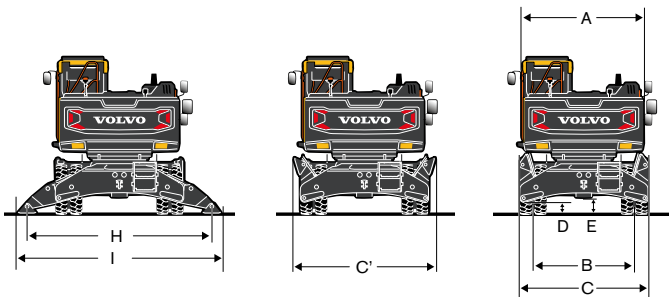
With straight boom, with sorting arm 4 m / 13.1 ft, with solideal twin tyres 10-20, with sorting grap with Quick coupler (1,500 kg / 3,307 kg)

With front and rear outriggers kg (lb) 25,900 (57,100)

## Service Refill

|                           |         |            |
|---------------------------|---------|------------|
| Fuel tank                 | l (gal) | 290 (76.6) |
| DEF/AdBlue® tank          | l (gal) | 25 (6.6)   |
| Hydraulic system, total   | l (gal) | 340 (89.8) |
| Hydraulic tank            | l (gal) | 170 (44.9) |
| Engine oil                | l (gal) | 25 (6.6)   |
| Engine coolant            | l (gal) | 33 (8.7)   |
| Swing reduction unit      | l (gal) | 7 (1.85)   |
| Transmission              | l (gal) | 2.5 (0.66) |
| <b>Axle differential:</b> |         |            |
| Front axle                | l (gal) | 16 (4.23)  |
| Rear axle                 | l (gal) | 20 (5.28)  |

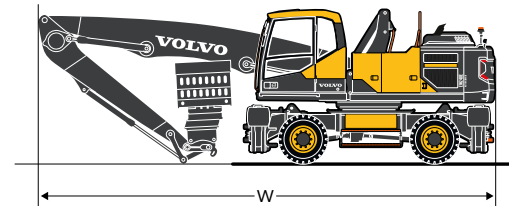
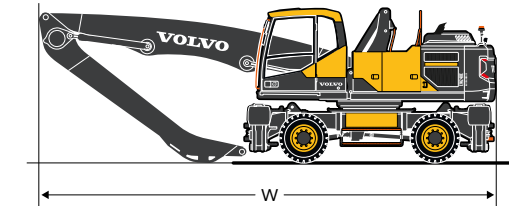
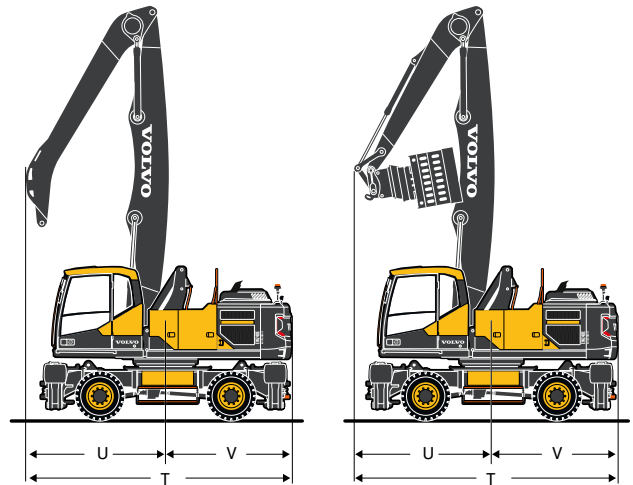
# Specifications



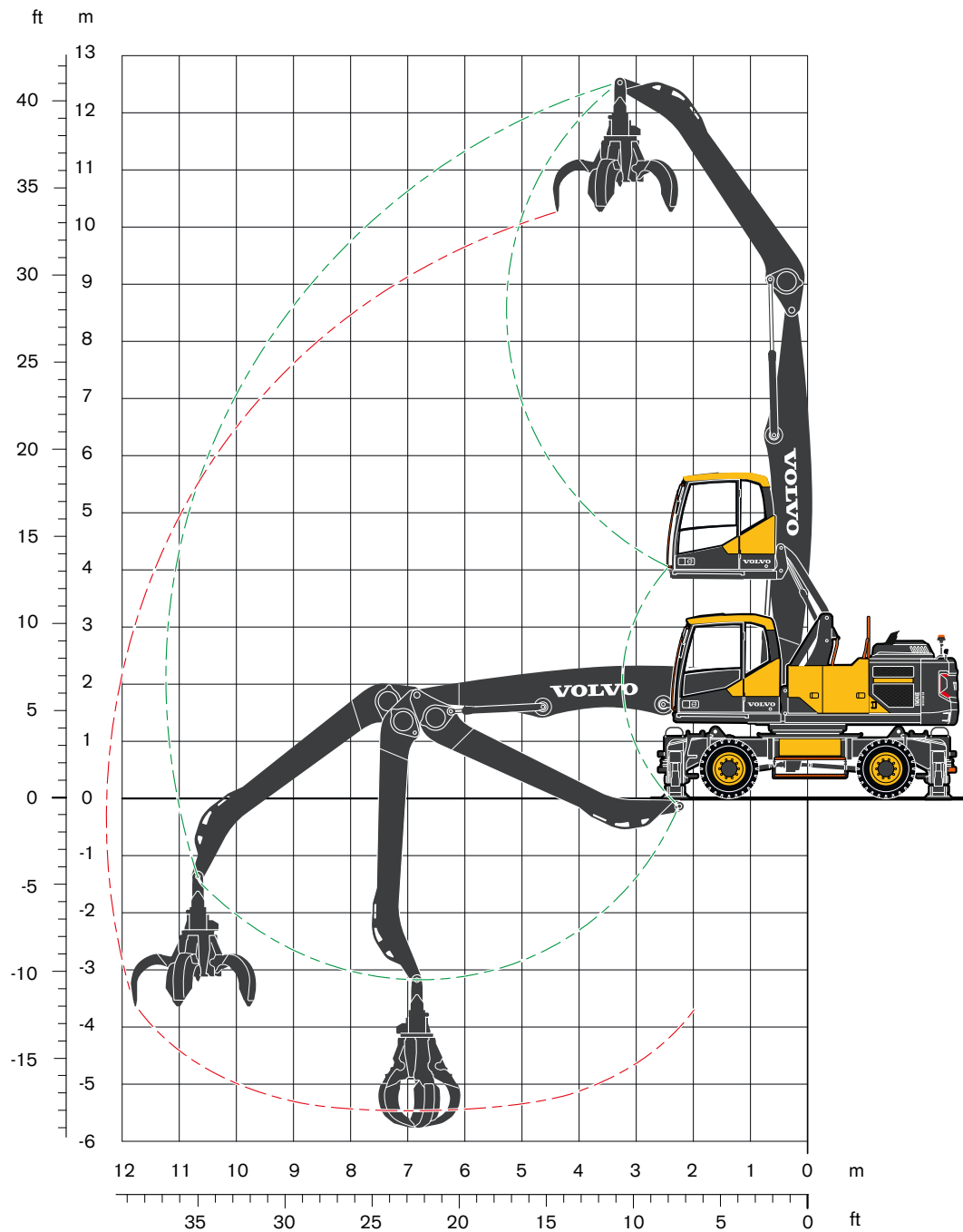
## DIMENSIONS

|               |    |       |       |        |
|---------------|----|-------|-------|--------|
| A             | mm | ft in | 2,540 | 8'4"   |
| B             | mm | ft in | 2,114 | 6'11"  |
| C             | mm | ft in | 2,700 | 8'10"  |
| C'            | mm | ft in | 2,950 | 9'8"   |
| D             | mm | ft in | 250   | 0'10"  |
| E             | mm | ft in | 351   | 1'2"   |
| F (with FOPS) | mm | ft in | 3,274 | 10'9"  |
| G             | mm | ft in | 3,224 | 10'7"  |
| H             | mm | ft in | 3,862 | 12'8"  |
| I             | mm | ft in | 4,257 | 13'12" |
| J (with FOPS) | mm | ft in | 5,773 | 18'11" |
| K             | mm | ft in | 5,723 | 18'9"  |
| L             | mm | ft in | 2,624 | 8'7"   |
| M             | mm | ft in | 1,375 | 4'6"   |
| N             | mm | ft in | 1,375 | 4'6"   |
| O             | mm | ft in | 2,310 | 7'7"   |
| P             | mm | ft in | 2,290 | 7'6"   |
| Q             | mm | ft in | 2,536 | 8'4"   |
| R             | mm | ft in | 2,515 | 8'3"   |
| S             | mm | ft in | 1,310 | 4'4"   |

|   |          | Straight boom 6.5 m (21'4") |        |                           |        |
|---|----------|-----------------------------|--------|---------------------------|--------|
|   |          | Gooseneck arm 5.0 m (16'5") |        | Sorting arm 4.0 m (13'1") |        |
| T | mm ft in | 5,434                       | 17'10" | 5,481                     | 17'12" |
| U | mm ft in | 2,810                       | 9'3"   | 2,857                     | 9'4"   |
| V | mm ft in | 2,624                       | 8'7"   | 2,624                     | 8'7"   |
| W | mm ft in | 9,527                       | 31'3"  | 9,526                     | 31'3"  |



# Specifications



## ORANGE PEEL GRAPPLE/POLY GRAB

| With poly grapple on gooseneck arm |    |       |       |       |
|------------------------------------|----|-------|-------|-------|
| Width (closed)                     | mm | ft in | 1,520 | 4'12" |
| Opening width                      | mm | ft in | 2,130 | 6'12" |
| Height (closed)                    | mm | ft in | 1,980 | 6'6"  |
| Volume                             | l  | gal   | 600   | 158   |

**Recommended attachments**

**ORANGE PEEL GRAPPLE/POLY GRAB**

Lifting capacity at maximum reach with support down according ISO 10567: 3,400 kg (7,500 lb)

Grapple suspension, weight: 120 kg (265 lb)

| Volume |      | Weight (grapple only) |        | Max. load capacity |         | Weight including H-Suspension |        | Maximum material density |        |
|--------|------|-----------------------|--------|--------------------|---------|-------------------------------|--------|--------------------------|--------|
| l      | gal  | kg                    | lb     | kg                 | lb      | kg                            | lb     | t/m³                     | lb/yd³ |
| 450    | 119  | 980                   | 2,161  | 7,000              | 15,432  | 1,100                         | 2,425  | 5.0                      | 8,427  |
| 600*   | 158* | 1,580*                | 3,483* | 7,000*             | 15,432* | 1,700*                        | 3,748* | 2.8*                     | 4,720* |
| 800    | 211  | 1,580                 | 3,483  | 7,000              | 15,432  | 1,700                         | 3,748  | 2.1                      | 3,540  |

Note: The sizes and weights marked with an asterisk (\*) are recommended.

**LIFTING CAPACITY EW240E MATERIAL HANDLER**

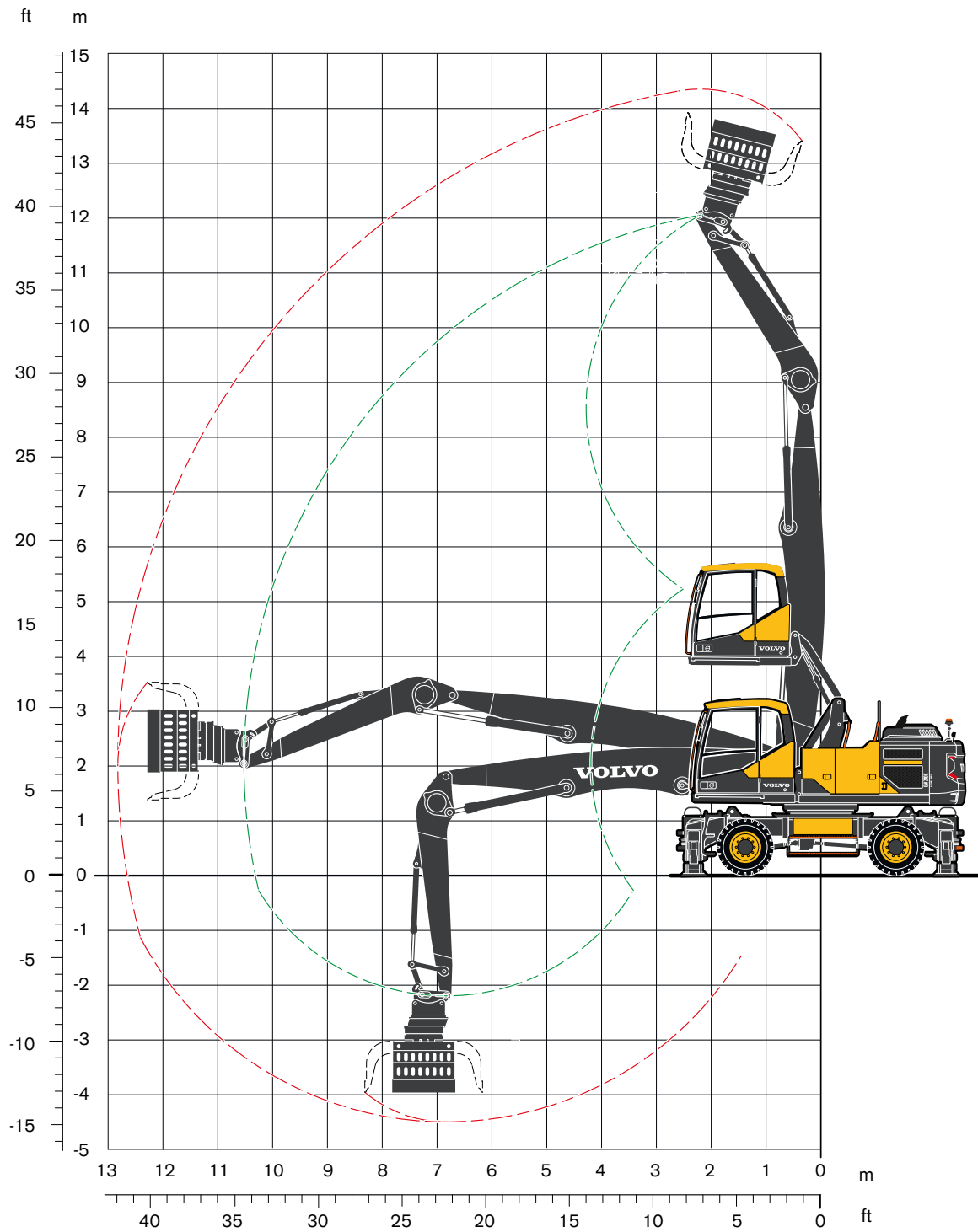
At the arm end without grapple. For lifting capacity including grapple, simply subtract actual weight of this part from the following values.

With heavy counterweight. Unit: ● 1 000 kg / ■ 1 000 lb

Notes: 1. Working pressure = 35 MPa (5,080 psi) . 2. The above values are in compliance with ISO standard 10 567. They do not exceed 87 % of hydraulic lifting capacity or 75 % of tipping load, with the machine on firm, level ground. 3. Load capacities marked with an asterisk (\*) are limited by machine's hydraulic lifting capacity rather than tipping load.

| Lifting point   | Reach from machine centre (u = support up/d = support down) |      |          |      |              |       |          |       |              |       |          |       |               |     |          |       |           |       |          |   |      |
|---|---|------|----------|------|--------------|-------|----------|-------|--------------|-------|----------|-------|---------------|-----|----------|-------|-----------|-------|----------|---|------|
|   | 3.0 m, 10 ft  |      |          |      | 4.5 m, 15ft  |       |          |       | 6.0 m, 20 ft |       |          |       |               |     |          |       |           |       |          |   |      |
|   | Across UC   |      | Along UC |      | Across UC    |       | Along UC |       | Across UC    |       | Along UC |       |               |     |          |       |           |       |          |   |      |
|   | u   | d    | u        | d    | u            | d     | u        | d     | u            | d     | u        | d     | u             | d   | u        | d     | u         | d     |          |   |      |
| 12.0 m ●  | -   | -    | -        | -    | 6.8*         | 6.8*  | 6.8*     | 6.8*  | -            | -     | -        | -     | -             | -   | -        | -     | -         | -     |          |   |      |
| 40 ft ■   | -   | -    | -        | -    | 15.0*        | 15.0* | 15.0*    | 15.0* | -            | -     | -        | -     | -             | -   | -        | -     | -         | -     |          |   |      |
| 10.5 m ●  | -   | -    | -        | -    | -            | -     | -        | -     | 5.0          | 6.3*  | 6.3*     | 6.3*  | -             | -   | -        | -     | -         | -     |          |   |      |
| 35 ft ■   | -   | -    | -        | -    | -            | -     | -        | -     | 11.0         | 13.9* | 13.9*    | 13.9* | -             | -   | -        | -     | -         | -     |          |   |      |
| 9.0 m ●   | -   | -    | -        | -    | -            | -     | -        | -     | 5.1          | 6.0   | 6.0      | 6.0   | -             | -   | -        | -     | -         | -     |          |   |      |
| 30 ft ■   | -   | -    | -        | -    | -            | -     | -        | -     | 11.2         | 13.2  | 13.2     | 13.2  | -             | -   | -        | -     | -         | -     |          |   |      |
| 7.5 m ●   | -   | -    | -        | -    | -            | -     | -        | -     | 5.0          | 6.1   | 6.1      | 6.1   | -             | -   | -        | -     | -         | -     |          |   |      |
| 25 ft ■   | -   | -    | -        | -    | -            | -     | -        | -     | 11.0         | 13.4  | 13.4     | 13.4  | -             | -   | -        | -     | -         | -     |          |   |      |
| 6.0 m ●   | -   | -    | -        | -    | -            | -     | -        | -     | 4.9          | 6.4   | 6.4      | 6.4   | -             | -   | -        | -     | -         | -     |          |   |      |
| 20 ft ■   | -   | -    | -        | -    | -            | -     | -        | -     | 10.8         | 14.1  | 14.1     | 14.1  | -             | -   | -        | -     | -         | -     |          |   |      |
| 4.5 m ●   | -   | -    | -        | -    | 7.2          | 8.7   | 8.7      | 8.7   | 4.6          | 7.0   | 6.2      | 7.0   | -             | -   | -        | -     | -         | -     |          |   |      |
| 15 ft ■   | -   | -    | -        | -    | 15.9         | 19.2  | 19.2     | 19.2  | 10.1         | 15.4  | 13.7     | 15.4  | -             | -   | -        | -     | -         | -     |          |   |      |
| 3.0 m ●   | -   | -    | -        | -    | 6.4          | 10.1  | 9.0      | 10.1  | 4.3          | 7.7   | 5.9      | 7.7   | -             | -   | -        | -     | -         | -     |          |   |      |
| 10 ft ■   | -   | -    | -        | -    | 14.1         | 22.3  | 19.8     | 22.3  | 9.5          | 17.0  | 13.0     | 17.0  | -             | -   | -        | -     | -         | -     |          |   |      |
| 1.5 m ●   | -   | -    | -        | -    | 5.8          | 11.3  | 8.3      | 11.3  | 3.9          | 8.2   | 5.5      | 8.2   | -             | -   | -        | -     | -         | -     |          |   |      |
| 5 ft ■  | -   | -    | -        | -    | 12.8         | 24.9  | 18.3     | 24.9  | 8.6          | 18.1  | 12.1     | 18.1  | -             | -   | -        | -     | -         | -     |          |   |      |
| 0.0 m ●   | 3.4   | 3.4  | 3.4      | 3.4  | 5.3          | 10.4  | 7.8      | 10.4  | 3.7          | 8.2   | 5.2      | 8.3   | -             | -   | -        | -     | -         | -     |          |   |      |
| 0 ft ■  | 7.5   | 7.5  | 7.5      | 7.5  | 11.7         | 22.9  | 17.2     | 22.9  | 8.2          | 18.1  | 11.5     | 18.3  | -             | -   | -        | -     | -         | -     |          |   |      |
| -1.5 m ●  | -   | -    | -        | -    | 5.1          | 9.1   | 7.6      | 9.1   | 3.5          | 7.9   | 5.1      | 7.9   | -             | -   | -        | -     | -         | -     |          |   |      |
| -5 ft ■   | -   | -    | -        | -    | 11.2         | 20.1  | 16.8     | 20.1  | 7.7          | 17.4  | 11.2     | 17.4  | -             | -   | -        | -     | -         | -     |          |   |      |
| -3.0 m ●  | -   | -    | -        | -    | -            | -     | -        | -     | 3.5          | 6.8   | 5.0      | 6.8   | -             | -   | -        | -     | -         | -     |          |   |      |
| -10 ft ■  | -   | -    | -        | -    | -            | -     | -        | -     | 7.7          | 15.0  | 11.0     | 15.0  | -             | -   | -        | -     | -         | -     |          |   |      |
| Straight boom<br>6.5 m (21'4")<br>Gooseneck<br>arm 5.0 m<br>(16'5")<br>Front and rear<br>outriggers |   |      |          |      | 7.5 m, 25 ft |       |          |       | 9.0 m, 30 ft |       |          |       | 10.5 m, 35 ft |     |          |       | Max.      |       |          |   |      |
|   | Across UC   |      | Along UC |      | Across UC    |       | Along UC |       | Across UC    |       | Along UC |       | Across UC     |     | Along UC |       | Across UC |       | Along UC |   | Max. |
|   | m   |      | u        | d    | u            | d     | u        | d     | u            | d     | u        | d     | u             | d   | u        | d     | u         | d     | u        | d | m    |
|   | 12.0 m ●  | -    | -        | -    | -            | -     | -        | -     | -            | -     | -        | -     | -             | -   | 6.4*     | 6.4*  | 6.4*      | 6.4*  | 4.7      | - | -    |
|   | 40 ft ■   | -    | -        | -    | -            | -     | -        | -     | -            | -     | -        | -     | -             | -   | 14.1*    | 14.1* | 14.1*     | 14.1* | 10.4     | - | -    |
|   | 10.5 m ●  | -    | -        | -    | -            | -     | -        | -     | -            | -     | -        | -     | -             | -   | 3.7      | 5.2*  | 4.9       | 5.2*  | 7.2      | - | -    |
|   | 35 ft ■   | -    | -        | -    | -            | -     | -        | -     | -            | -     | -        | -     | -             | -   | 8.2      | 11.5* | 10.8      | 11.5* | 15.9     | - | -    |
|   | 9.0 m ●   | 3.5  | 5.5      | 4.7  | 5.5          | -     | -        | -     | -            | -     | -        | -     | -             | -   | 2.7      | 4.7   | 3.6       | 4.7   | 8.7      | - | -    |
|   | 30 ft ■   | 7.7  | 12.1     | 10.4 | 12.1         | -     | -        | -     | -            | -     | -        | -     | -             | -   | 6.0      | 10.4  | 7.9       | 10.4  | 19.2     | - | -    |
|   | 7.5 m ●   | 3.5  | 5.5      | 4.7  | 5.5          | 2.6   | 5.0      | 3.4   | 5.0          | -     | -        | -     | -             | -   | 2.2      | 4.4   | 3.0       | 4.5   | 9.8      | - | -    |
|   | 25 ft ■   | 7.7  | 12.1     | 10.4 | 12.1         | 5.7   | 11.0     | 7.5   | 11.0         | -     | -        | -     | -             | -   | 4.9      | 9.7   | 6.6       | 9.9   | 21.6     | - | -    |
|   | 6.0 m ●   | 3.4  | 5.6      | 4.6  | 5.6          | 2.5   | 5.0      | 3.4   | 5.0          | -     | -        | -     | -             | -   | 1.9      | 3.9   | 2.6       | 4.4   | 10.5     | - | -    |
|   | 20 ft ■   | 7.5  | 12.3     | 10.1 | 12.3         | 5.5   | 11.0     | 7.5   | 11.0         | -     | -        | -     | -             | -   | 4.2      | 8.6   | 5.7       | 9.7   | 23.1     | - | -    |
|   | 4.5 m ●   | 3.3  | 5.9      | 4.4  | 5.9          | 2.4   | 4.9      | 3.3   | 5.2          | 1.9   | 3.8      | 2.6   | 4.5           | 1.7 | 3.6      | 2.4   | 4.3       | 10.9  | -        | - | -    |
|   | 15 ft ■   | 7.3  | 13.0     | 9.7  | 13.0         | 5.3   | 10.8     | 7.3   | 11.5         | 4.2   | 8.4      | 5.7   | 9.9           | 3.7 | 7.9      | 5.3   | 9.5       | 24.0  | -        | - | -    |
|   | 3.0 m ●   | 3.1  | 6.3      | 4.2  | 6.3          | 2.3   | 4.8      | 3.2   | 5.3          | 1.8   | 3.8      | 2.5   | 4.5           | 1.6 | 3.4      | 2.3   | 4.2       | 11.2  | -        | - | -    |
|   | 10 ft ■   | 6.8  | 13.9     | 9.3  | 13.9         | 5.1   | 10.6     | 7.1   | 11.7         | 4.0   | 8.4      | 5.5   | 9.9           | 3.5 | 7.5      | 5.1   | 9.3       | 24.7  | -        | - | -    |
|   | 1.5 m ●   | 2.9  | 6.1      | 4.0  | 6.5          | 2.2   | 4.7      | 3.1   | 5.4          | 1.8   | 3.7      | 2.5   | 4.4           | 1.6 | 3.4      | 2.3   | 4.0       | 11.2  | -        | - | -    |
|   | 5 ft ■  | 6.4  | 13.4     | 8.8  | 14.3         | 4.9   | 10.4     | 6.8   | 11.9         | 4.0   | 8.2      | 5.5   | 9.7           | 3.5 | 7.5      | 5.1   | 8.8       | 24.7  | -        | - | -    |
|   | 0.0 m ●   | 2.7  | 5.9      | 3.9  | 6.5          | 2.1   | 4.6      | 3.0   | 5.2          | 1.7   | 3.7      | 2.4   | 4.2           | 1.6 | 3.4      | 2.3   | 3.8       | 11.0  | -        | - | -    |
| 0 ft ■  | 6.0   | 13.0 | 8.6      | 14.3 | 4.6          | 10.1  | 6.6      | 11.5  | 3.7          | 8.2   | 5.3      | 9.3   | 3.5           | 7.5 | 5.1      | 8.4   | 24.3      | -     | -        | - |      |
| -1.5 m ●  | 2.6   | 5.8  | 3.8      | 6.1  | 2.1          | 4.5   | 3.0      | 4.9   | -            | -     | -        | -     | -             | 1.7 | 3.6      | 2.4   | 3.6       | 10.5  | -        | - |      |
| -5 ft ■   | 5.7   | 12.8 | 8.4      | 13.4 | 4.6          | 9.9   | 6.6      | 10.8  | -            | -     | -        | -     | -             | 3.7 | 7.9      | 5.3   | 7.9       | 23.1  | -        | - |      |
| -3.0 m ●  | 2.6   | 5.3  | 3.7      | 5.3  | -            | -     | -        | -     | -            | -     | -        | -     | -             | 2.5 | 5.0      | 3.5   | 5.0       | 7.8   | -        | - |      |
| -10 ft ■  | 5.7   | 11.7 | 8.2      | 11.7 | -            | -     | -        | -     | -            | -     | -        | -     | -             | 5.5 | 11.0     | 7.7   | 11.0      | 17.2  | -        | - |      |

# Specifications



## **SORTING GRAB**

| With sorting grab on sorting arm |    |       |       |      |
|----------------------------------|----|-------|-------|------|
| Opening width                    | mm | ft in | 2,140 | 7'0" |
| Height, max                      | mm | ft in | 1,615 | 5'4" |
| Height, min                      | mm | ft in | 1,410 | 4'8" |
| Volume                           | l  | gal   | 800   | 211  |



**Recommended attachments**

**SORTING GRAB**

Lifting capacity at maximum reach with support down according ISO 10567: 3,700 kg (8,160 lb)

Quick coupler S60, weight: 155 kg (342 lb)

| Volume |      |        |        |        |         | Maximum material density |        |                  |                    |            |        |                  |                    |        |  |         |  |
|--------|------|--------|--------|--------|---------|--------------------------|--------|------------------|--------------------|------------|--------|------------------|--------------------|--------|--|---------|--|
|        |      |        |        |        |         | Weight (grapple only)    |        |                  |                    | Direct Fit |        |                  |                    | S60    |  |         |  |
|        |      |        |        |        |         | Weight                   |        | Density          |                    | Weight     |        | Density          |                    | Weight |  | Density |  |
| l      | gal  | kg     | lb     | kg     | lb      | kg                       | lb     | t/m <sup>3</sup> | lb/yd <sup>3</sup> | kg         | lb     | t/m <sup>3</sup> | lb/yd <sup>3</sup> |        |  |         |  |
| 450    | 119  | 1,020  | 2,249  | 5,000  | 11,023  | 1,185                    | 2,612  | 5.5              | 9,271              | 1,235      | 2,723  | 5.5              | 9,271              |        |  |         |  |
| 500*   | 132* | 1,175* | 2,590* | 5,000* | 11,023* | 1,340*                   | 2,954* | 4.7*             | 7,922*             | 1,390*     | 3,064* | 4.3*             | 7,248*             |        |  |         |  |
| 800    | 211  | 1,485  | 3,274  | 6,000  | 13,228  | 1,650                    | 3,638  | 2.5              | 4,214              | 1,700      | 3,748  | 2.3              | 3,877              |        |  |         |  |

Note: The sizes and weights marked with an asterisk (\*) are recommended.

**LIFTING CAPACITY EW240E MATERIAL HANDLER**

At the arm end without grapple. For lifting capacity including grapple, simply subtract actual weight of this part from the following values.

With heavy counterweight. Unit: ● 1 000 kg / ■ 1 000 lb

Notes: 1. Working pressure = 35 MPa (5,080 psi). 2. The above values are in compliance with ISO standard 10 567. They do not exceed 87 % of hydraulic lifting capacity or 75 % of tipping load, with the machine on firm, level ground. 3. Load capacities marked with an asterisk (\*) are limited by machine's hydraulic lifting capacity rather than tipping load.

|  | Lifting point | Reach from machine centre (u = support up/d = support down) |      |          |      |              |      |          |      |              |      |          |      |              |     | Max. |          |      |      |      |      |      |      |
|--|---------------|---|------|----------|------|--------------|------|----------|------|--------------|------|----------|------|--------------|-----|------|----------|------|------|------|------|------|------|
|  |               | 4.5 m, 15ft   |      |          |      | 6.0 m, 20 ft |      |          |      | 7.5 m, 25 ft |      |          |      | 9.0 m, 30 ft |     |      |          |      |      |      |      |      |      |
|  |               | Across UC   |      | Along UC |      | Across UC    |      | Along UC |      | Across UC    |      | Along UC |      | Across UC    |     |      | Along UC |      |      |      |      |      |      |
|  |               | u   | d    | u        | d    | u            | d    | u        | d    | u            | d    | u        | d    | u            | d   |      | u        | d    |      |      |      |      |      |
| Straight boom<br>6.5 m (21'4")<br>Sorting arm 4.0 m (13'1")<br>Front and rear outriggers | 12.0 m        | ●   | -    | -        | -    | -            | -    | -        | -    | -            | -    | -        | -    | -            | -   | -    | -        | 11.4 | 11.4 | 11.4 | 11.4 | 2.5  |      |
|  | 40 ft         | ●   | -    | -        | -    | -            | -    | -        | -    | -            | -    | -        | -    | -            | -   | -    | -        | 25.1 | 25.1 | 25.1 | 25.1 | 5.5  |      |
|  | 10.5 m        | ●   | 7.3  | 8.3      | 8.3  | 8.3          | 4.6  | 7.1      | 6.2  | 7.1          | -    | -        | -    | -            | -   | -    | -        | 4.6  | 7.1  | 6.2  | 7.1  | 6.0  |      |
|  | 35 ft         | ■   | 16.1 | 18.3     | 18.3 | 18.3         | 10.1 | 15.7     | 13.7 | 15.7         | -    | -        | -    | -            | -   | -    | -        | 10.1 | 15.7 | 13.7 | 15.7 | 13.2 |      |
|  | 9.0 m         | ●   | 7.5  | 7.8      | 7.8  | 7.8          | 4.7  | 6.7      | 6.4  | 6.7          | 3.2  | 6.0      | 4.4  | 6.0          | -   | -    | -        | 3.0  | 5.9  | 4.1  | 5.9  | 7.8  |      |
|  | 30 ft         | ■   | 16.5 | 17.2     | 17.2 | 17.2         | 10.4 | 14.8     | 14.1 | 14.8         | 7.1  | 13.2     | 9.7  | 13.2         | -   | -    | -        | 6.6  | 13.0 | 9.0  | 13.0 | 17.2 |      |
|  | 7.5 m         | ●   | 7.4  | 7.9      | 7.9  | 7.9          | 4.7  | 6.7      | 6.3  | 6.7          | 3.3  | 5.9      | 4.4  | 5.9          | -   | -    | -        | 2.4  | 4.9  | 3.3  | 5.3  | 8.9  |      |
|  | 25 ft         | ■   | 16.3 | 17.4     | 17.4 | 17.4         | 10.4 | 14.8     | 13.9 | 14.8         | 7.3  | 13.0     | 9.7  | 13.0         | -   | -    | -        | 5.3  | 10.8 | 7.3  | 11.7 | 19.6 |      |
|  | 6.0 m         | ●   | 7.1  | 8.5      | 8.5  | 8.5          | 4.6  | 7.0      | 6.2  | 7.0          | 3.2  | 6.0      | 4.4  | 6.0          | 2.4 | 4.8  | 3.3      | 5.3  | 2.1  | 4.2  | 2.9  | 4.9  | 9.7  |
|  | 20 ft         | ■   | 15.7 | 18.7     | 18.7 | 18.7         | 10.1 | 15.4     | 13.7 | 15.4         | 7.1  | 13.2     | 9.7  | 13.2         | 5.3 | 10.6 | 7.3      | 11.7 | 4.6  | 9.3  | 6.4  | 10.8 | 21.4 |
|  | 4.5 m         | ●   | 6.7  | 9.7      | 9.3  | 9.7          | 4.3  | 7.5      | 5.9  | 7.5          | 3.1  | 6.2      | 4.2  | 6.2          | 2.3 | 4.7  | 3.2      | 5.3  | 1.9  | 3.9  | 2.6  | 4.7  | 10.2 |
|  | 15 ft         | ■   | 14.8 | 21.4     | 20.5 | 21.4         | 9.5  | 16.5     | 13.0 | 16.5         | 6.8  | 13.7     | 9.3  | 13.7         | 5.1 | 10.4 | 7.1      | 11.7 | 4.2  | 8.6  | 5.7  | 10.4 | 22.5 |
|  | 3.0 m         | ●   | 6.0  | 11.0     | 8.6  | 11.0         | 4.0  | 8.1      | 5.6  | 8.1          | 2.9  | 6.1      | 4.1  | 6.5          | 2.2 | 4.7  | 3.1      | 5.4  | 1.8  | 3.7  | 2.5  | 4.4  | 10.5 |
|  | 10 ft         | ■   | 13.2 | 24.3     | 19.0 | 24.3         | 8.8  | 17.9     | 12.3 | 17.9         | 6.4  | 13.4     | 9.0  | 14.3         | 4.9 | 10.4 | 6.8      | 11.9 | 4.0  | 8.2  | 5.5  | 9.7  | 23.1 |
|  | 1.5 m         | ●   | 5.5  | 8.6      | 8.0  | 8.6          | 3.8  | 8.3      | 5.3  | 8.4          | 2.8  | 6.0      | 3.9  | 6.6          | 2.2 | 4.6  | 3.0      | 5.3  | 1.7  | 3.7  | 2.4  | 4.1  | 10.5 |
|  | 5 ft          | ■   | 12.1 | 19.0     | 17.6 | 19.0         | 8.4  | 18.3     | 11.7 | 18.5         | 6.2  | 13.2     | 8.6  | 14.6         | 4.9 | 10.1 | 6.6      | 11.7 | 3.7  | 8.2  | 5.3  | 9.0  | 23.1 |
| 0.0 m  | ●             | 5.3   | 6.9  | 6.9      | 6.9  | 3.6          | 8.1  | 5.2      | 8.2  | 2.7          | 5.8  | 3.8      | 6.4  | 2.1          | 4.5 | 3.0  | 5.0      | 1.8  | 3.8  | 2.5  | 3.8  | 10.3 |      |
| 0 ft   | ■             | 11.7  | 15.2 | 15.2     | 15.2 | 7.9          | 17.9 | 11.5     | 18.1 | 6.0          | 12.8 | 8.4      | 14.1 | 4.6          | 9.9 | 6.6  | 11.0     | 4.0  | 8.4  | 5.5  | 8.4  | 22.7 |      |
| -1.5 m   | ●             | -   | -    | -        | -    | 3.6          | 7.3  | 5.1      | 7.3  | 2.7          | 5.7  | 3.8      | 5.7  | -            | -   | -    | -        | 2.1  | 4.4  | 3.0  | 4.4  | 9.0  |      |
| -5 ft  | ■             | -   | -    | -        | -    | 7.9          | 16.1 | 11.2     | 16.1 | 6.0          | 12.6 | 8.4      | 12.6 | -            | -   | -    | -        | 4.6  | 9.7  | 6.6  | 9.7  | 19.8 |      |

# Equipment

## STANDARD EQUIPMENT

### Engine

Turbocharged, 6 cylinder Volvo diesel engine with water cooling, direct injection and charged air cooler that meets EU Step IV/Tier 4f emission requirements

Intake air pre-heater

### ECO mode

Fuel filter and water separator

Fuel filler pump: 50 l/min (13.2 gal/min) with automatic shut-off

Aluminium core radiator

### Electric / Electronic control system

Contronics-computerized monitoring and diagnostic system

Travel alarm

Adjustable automatic idling system

Adjustable monitor

Safety stop / start function and master electrical disconnect switch

2 frame mounted LED travel lights

Joystick Controlled Support (blade / outrigger function on LH joystick)

Alternator, 140 A

Batteries, 2 x 12 V / 140 Ah

Start motor, 24 V / 5.5 kW

CareTrack via GSM or satellite

Rear view camera

Side view camera right hand side

### Superstructure

Reinforced upper frame and modified position of boom and boom cylinders - tailor-made for material handling application

LED rear lights

Service walkway with anti-slip grating

Centralised lubricating point for slew bearing

### Undercarriage

Longer, wider, stiffer undercarriage for higher rigidity and durability in handling applications

Reinforced outriggers with enlarged outrigger pads

2.75 m (9 ft) wide axles

3-speed power transmission plus creep speed up to 20 km/h (12.4 mi/h)

Oscillating front axle  $\pm 6^\circ$

Dual circuit travel brakes

Extended axle lock (EAL)

Steps on outrigger (front and rear) for easier access

### Hydraulic system

Boom float function

Pressure relief system (servo accumulator)

Proportional controlled viscous-clutch cooling fan

Hose rupture valve for boom

Long life hydraulic oil ISO VG46

Boom dampening system

Soft swing function

Arm in limitation function

Pilot control pattern change valve

### Cab and interior

Volvo hydraulic elevated Care Cab with fixed roof hatch

Heater & air-conditioner, automatic

Hydraulic dampening cab mounts

Adjustable operator seat and joystick control console

Adjustable steering column

Hydraulic safety lock lever

L8 multifunction control joystick, with 5 roller switches

Cab, all-weather sound suppressed, includes:

Cup holder

Door locks

Safety glass, light tinted

Floor mat

Horn

Large storage area

Pull-up type front window

Removable lower windshield

3 inch retractable high visibility seat belt

Windshield wiper with washer and intermittent feature

Sun shield, front, roof & rear

Master ignition key

Lower wiper

### Digging equipment

Centralised lubrication point

## OPTIONAL EQUIPMENT

### Engine

Diesel coolant heater with digital timer

Block heater, 240 V

Water separator with heater

Dust net

Reversible fan

Air inlet turbo pre-cleaning system

Micro- mesh and sealing for engine compartment

Tropical cooling

Automatic engine shutdown

Waste package

### Electric / Electronic control system

Remote controlled welcome light

Joystick steering (Comfort Drive Control)

24 channel electric centre passage

Luxury LED work lights package (11) - includes:

a) remote controlled welcome lights

b) boom-mounted (2)

c) rear cab (1) and counterweight mounted (1)

d) cab front (4)

e) arm mounted (2)

f) LED light for side camera

Cruise control

Anti-theft system

Tiltrotator attachment preparation

Rotating beacon on cab and counterweight

### Undercarriage

Twin tires 10.00 - 20 / 11.00 - 20

Stone protection rings

4 outriggers + cleaning blade at front

Standard toolbox or Drawer type toolbox at either side

Travel speed : 20 km/h (12.4 mi/h)

### Hydraulic system

Hydraulic oil, biodegradable ISO VG32

Hydraulic oil, biodegradable ISO VG46

Hydraulic long life oil ISO VG32

Hydraulic long life oil ISO VG68

Hydraulic equipment for attachments : peel grapple and sorting grab

Height limitation function

Flow and pressure control

### Cab and interior

Falling object guard (FOG)

Cab mounted falling object protective structures (FOPS)

Rain shield, front

Sunlight protection, roof hatch (steel)

Safety net for front window

One-piece polycarbonate window

Anti-vandalism kit

Radio with CD player and MP3 input

Ashtray

Lighter

Fabric seat, with heater

Fabric seat, with heater and air suspension

Luxury operator seat

### Digging equipment

Boom 6.5 m (21'4") in straight boom

Gooseneck arm 5.0 m (16'5")

Sorting arm 4.0 m (13'1")

Arm hoses protection

### Service

Wheel chocks

Tool kit, daily maintenance

### Attachments

Sorting grab

Orange peel grapple

---

**SELECTION OF VOLVO OPTIONAL EQUIPMENT**

---

**Volvo Smart View**



**Boom height limitation**



**Guarding packages**



**Waste packages**



**Tires**



**LED lights**



Not all products are available in all markets. Under our policy of continuous improvement, we reserve the right to change specifications and design without prior notice. The illustrations do not necessarily show the standard version of the machine.

**VOLVO**

**Volvo Construction Equipment**

[www.volvoce.com](http://www.volvoce.com)